

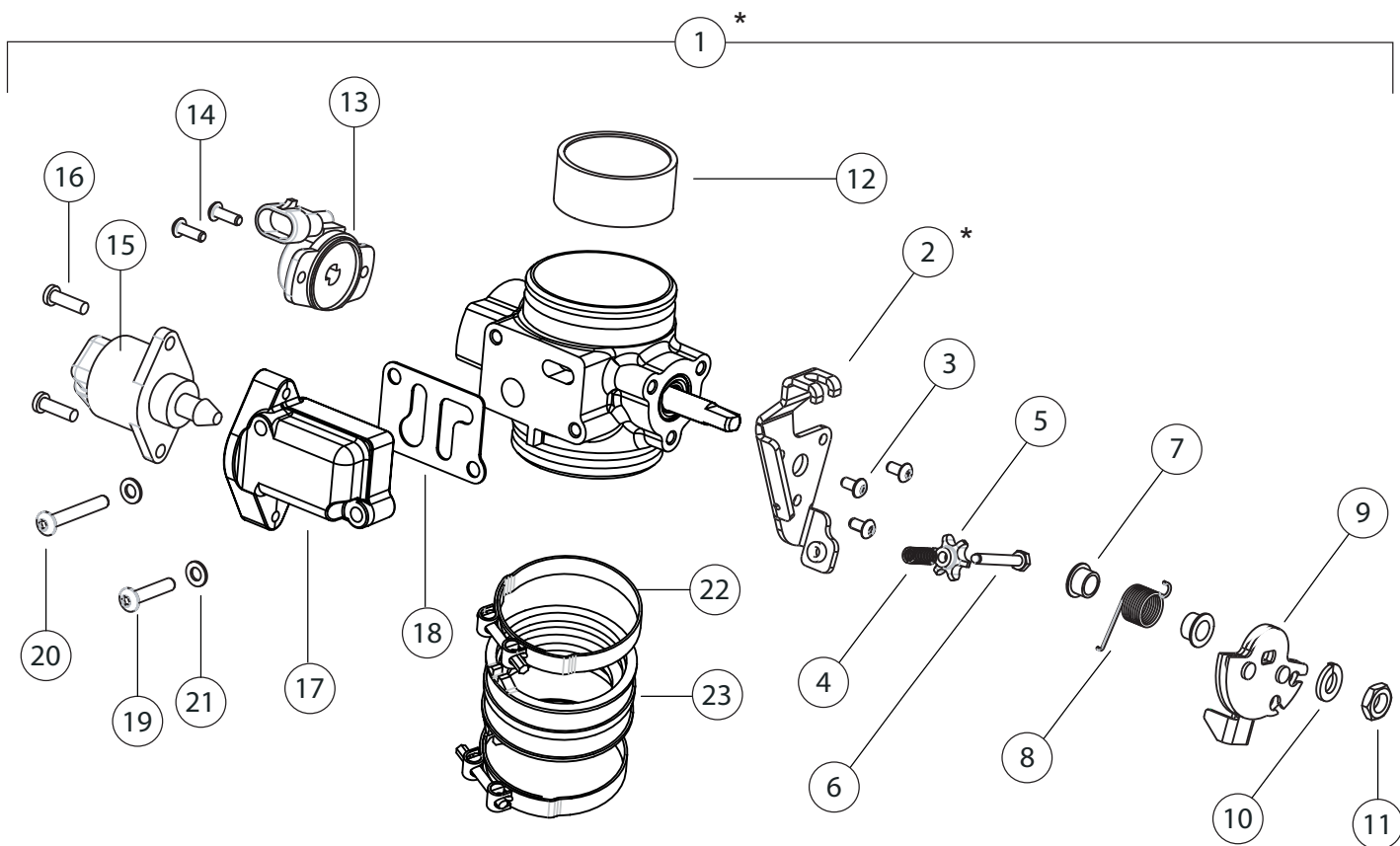


2003 Engine Parts Catalog

(ATV & Motorcycle) - 09/02

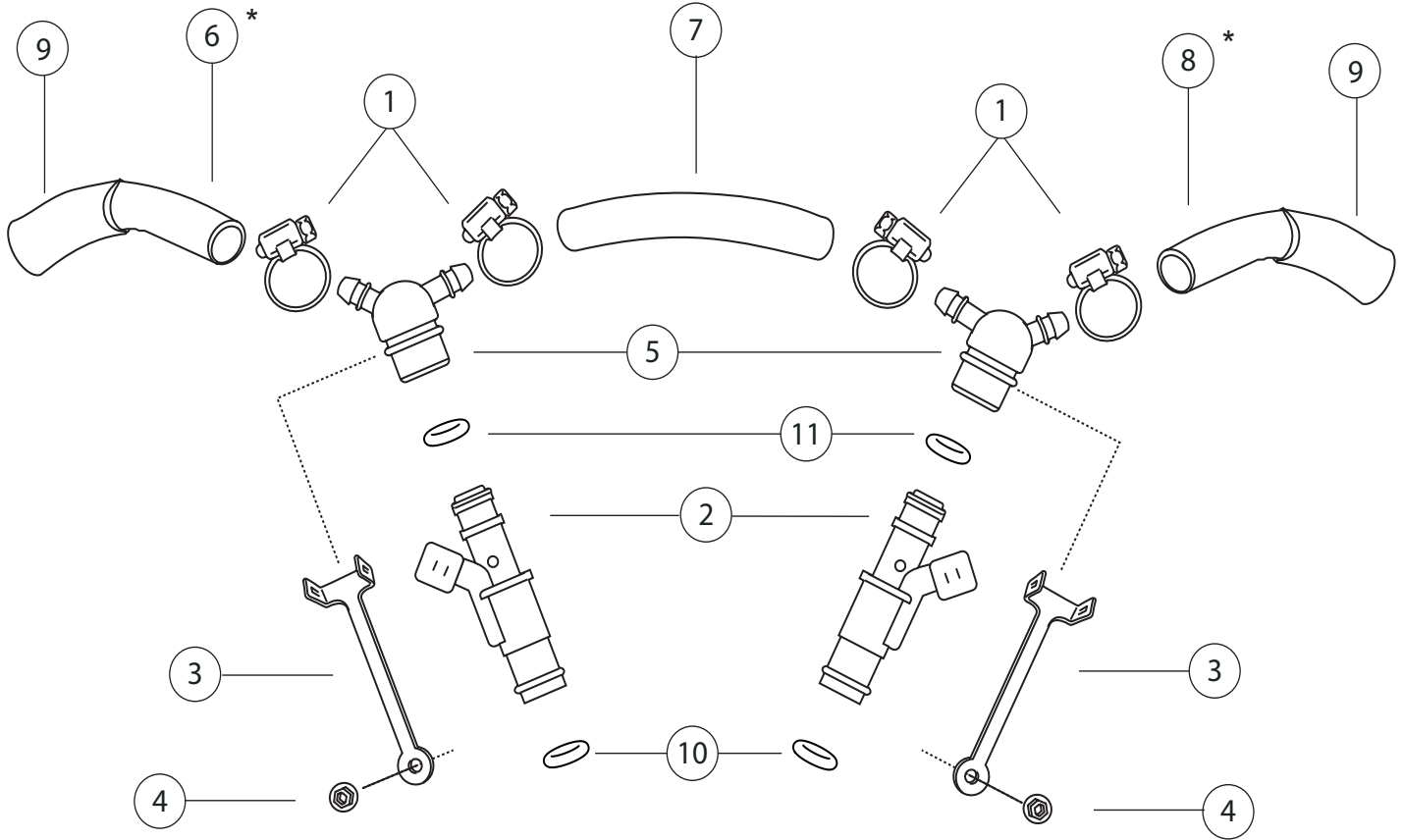
CONTENTS

Throttle Body	2	Crankshaft	11	Trans Cart Plate, Front	20
Fuel Injectors	3	Piston	12	Countershaft Sprocket	21
Cam Cover & Spark Plug	4	Crankshaft Cartridge Plate	13	Generator Stator	22
Cylinder Head	5	Crankcase Cover	14	Water Covers	23
Valve Train	6	Starter Clutch	15	Engine Oil Pickup Assembly	24
Valve Train Parts List	6	Clutch	16	Scavenge Pump	25
Cam Drive	8	Trans Cart Plate, Rear	17	Engine Oil Pump	26
Crankcase	9	Mainshaft	18	Oil Supply Tubes	27
Crankcase Parts List	10	Countershaft	19	Transmission Oil Pump	28



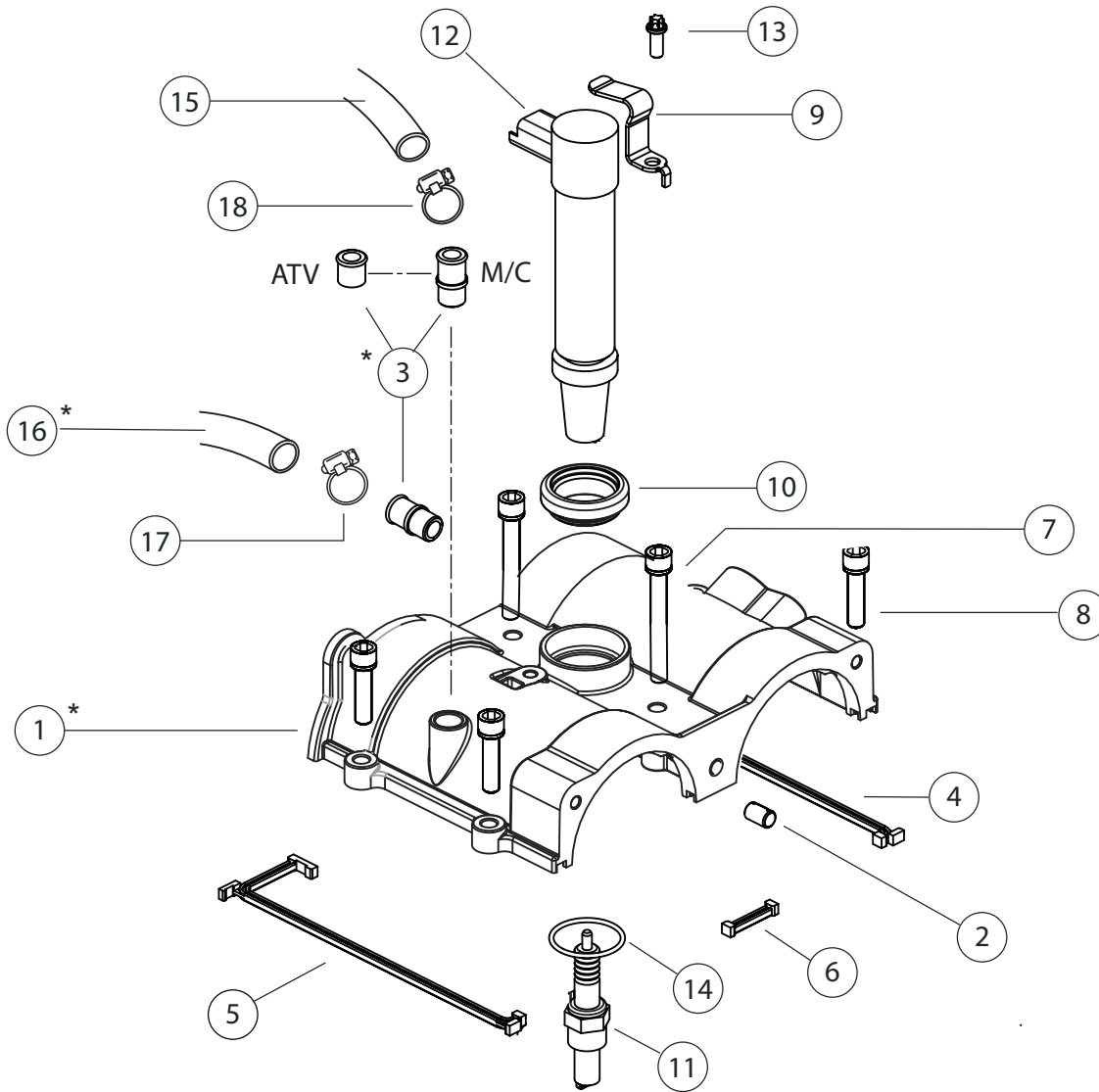
23	1	5001148			COUPLING, THROTTLE BODY	
22	2	5001149			CLAMP, BAND	
21	2	5001561			WASHER, M5	
20	1	5000513			BTTNHD TORX SCREW, M5X35	
19	1	5000512			BTTNHD TORX SCREW, M5X25	
18	1	5001973			BYPASS GASKET	
17	1	5001972			BYPASS HOUSING	
16	2	5001974			SCREW, PHILLIPS, 10X5/8	
15	1	5001971			BYPASS ACTUATOR	
14	2	5001489			BHCS, M4X12 mm	
13	1	5000409			THROTTLE POSITION SENSOR	
12	1	5001401			THROTTLE BODY SLEEVE	
11	1	5001581			NUT, HEX M8 X 1.0	
10	1	5000959			LOCK WASHER, M8	
9	1	5002307			THROTTLE CABLE PULLEY	
8	1	5000688			THROTTLE SPRING	
7	2	5002305			THROTTLE SPRING SLEEVE	
6	1	6000502			IDLE ADJUSTMENT SCREW	
5	1	5001346			IDLE ADJUSTMENT THUMBWHEEL	
4	1	5000827			SPRING, IDLE ADJUST THUMBWHEEL	
3	3	5001473			BHCS, M4X8 mm	
*	1	6001121		X	THROTTLE CABLE STOP	
2	1	5002308		X	THROTTLE CABLE STOP	
*	1	6000767		X	THROTTLE BODY ASSEMBLY	
1	1	5002340		X	THROTTLE BODY ASSEMBLY	
ITEM NO	QTY REQD	DEALER PART NUMBER	M/C	ATV MODEL	DESCRIPTION	NOTES

THROTTLE BODY PARTS LIST



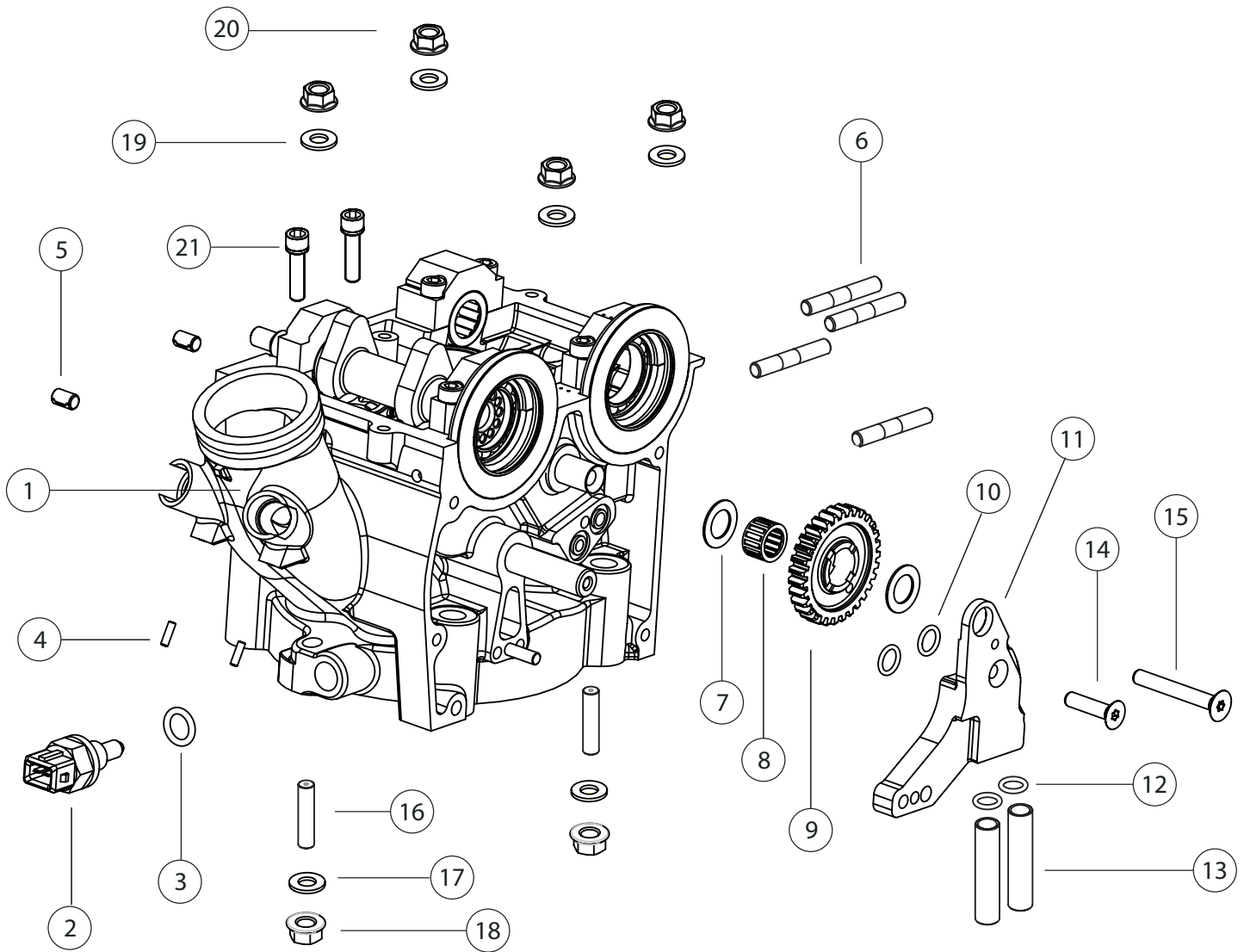
11	2	5001545			O-RING, FUEL INJECTOR, TOP	
10	2	5001546			O-RING, FUEL INJECTOR, BOTTOM	
9	1	5002321			HOSE SHEATH, BULK	5' LENGTH
*	1	6000317		X	HOSE, FUEL, 350 mm	TO FUEL REGULATOR
8	1	5002204-03	X		HOSE, FUEL, REG TO INJECTOR	TO FUEL REGULATOR
7	1	5002324			HOSE, FUEL, 6.4 mm ID, 60 mm	
*	1	6000318		X	HOSE, FUEL, 130 mm	TO FUEL PUMP
6	1	5002203-02	X		HOSE, FUEL, PUMP TO INJECTOR	TO FUEL PUMP
5	2	5000478-06			FUEL INJECTOR BASE	
4	2	5001458			NUT, HEX FLANGE, M3	
3	2	5000171			FUEL INJECTOR CLIP	
2	1	351-5000166			FUEL INJECTOR SET	INCLUDES FLOW RATE VALUE
1	4	5001607			OTKR HOSE CLAMP, 12.3mm	
ITEM NO	QTY REQD	DEALER PART NUMBER	M/C	ATV MODEL	DESCRIPTION	NOTES

FUEL INJECTORS PARTS LIST



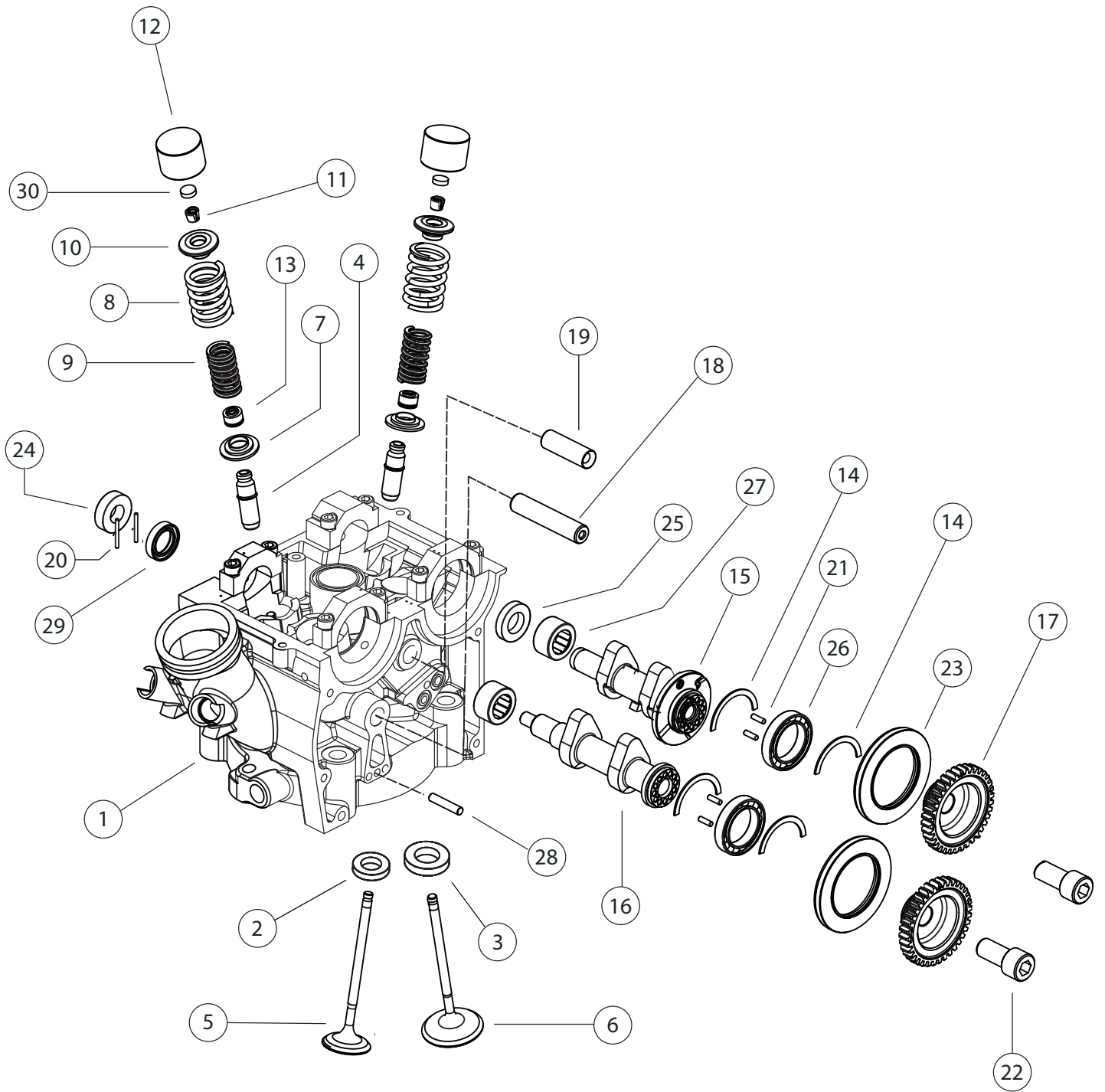
18	1	5000775			OETIKER CLAMP, 17mm	
17	2	5001610			HOSE CLAMP, DOUBLE WIRE	
*	1	6000386-03		X	HOSE, OIL, COVER TO SPAR	
16	1	5001352		X	HOSE, OIL, COVER TO STARTER	
15	1	5001351		X	HOSE, OIL, COVER TO FRAME	
14	1	5000915			O-RING, 2-023	
13	1	5001925			FHB M5X12 mm, ZINC	
12	1	5001781			IGNITION COIL ASSEMBLY	
11	1	5002029			SPARK PLUG - CR9EK	
10	1	5000853			COIL SEAL - UPPER	
9	1	5000852			COIL HOLD DOWN	
8	4	5001927			FHB M5X20 mm, ZINC	
7	2	5001945			FHB M5X35 mm, ZINC	
6	1	5000914			CAM COVER RBR LEFT SIDE	
5	1	5000913-03			CAM COVER RBR INTAKE	
4	1	5000912-04			CAM COVER RBR EXHAUST	
*	1	6000393-02		X	OIL BREATHER PLUG	INCLUDED IN CAM COVER ASSY
3	2	5001081-02			BREATHER NIPPLE	INCLUDED IN CAM COVER ASSY
2	1	5001136			SPLIT DOWEL PIN,5X10	INCLUDED IN CAM COVER ASSY
*	1	6000496		X	CAM COVER ASSY, ATV	
1	1	5001126		X	CAM COVER ASSY, MOTORCYCLE	
ITEM NO	QTY REQD	DEALER PART NUMBER	M/C	ATV	DESCRIPTION	NOTES
			MODEL			

CAMSHAFT COVER PARTS LIST

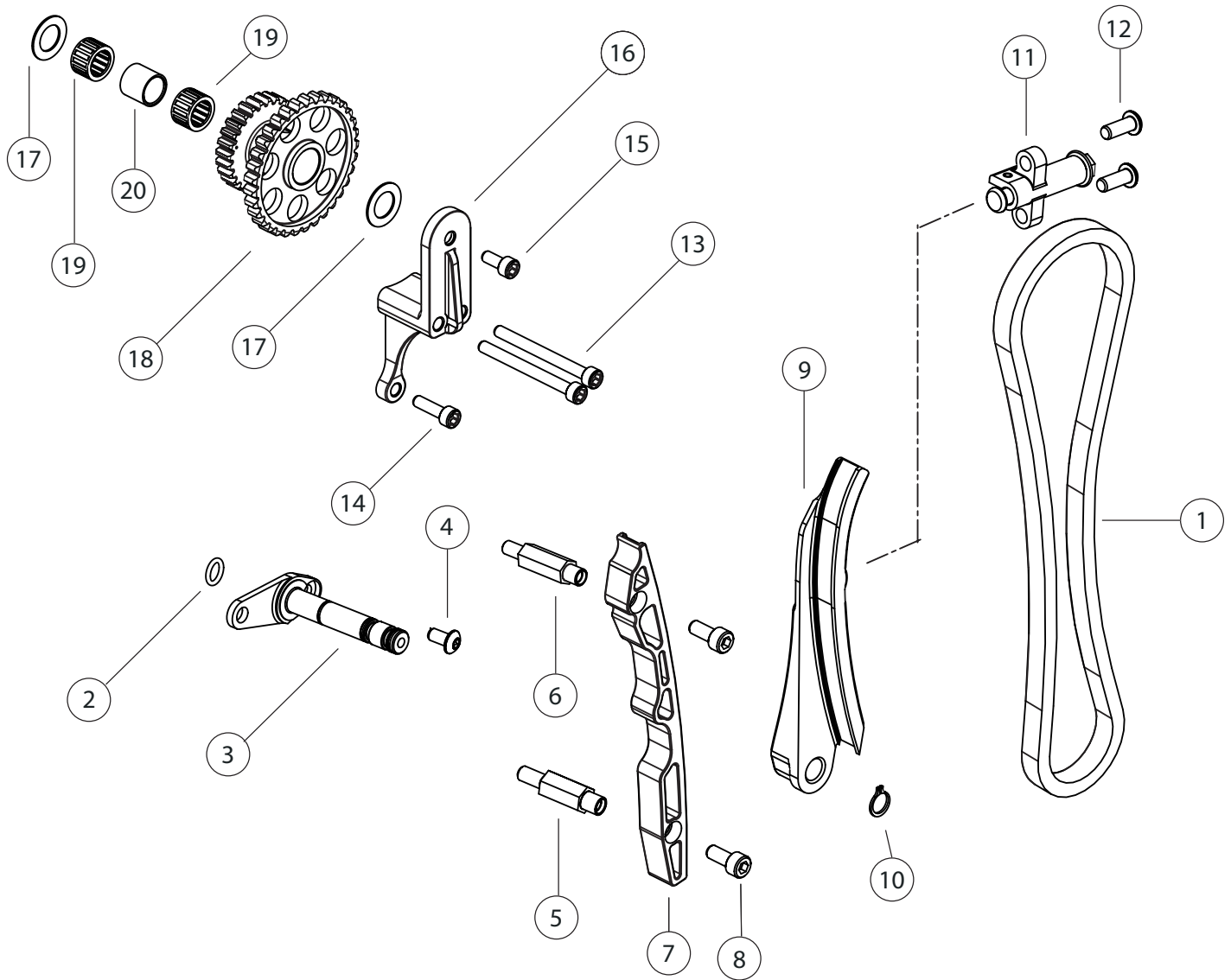


ITEM NO	QTY REQD	DEALER PART NUMBER	M/C ATV MODEL	DESCRIPTION	NOTES
1	1	334-5002443		Engine Rebuild Gasket Kit	
ADDITIONAL PARTS TABLE					
21	8	5001482		SHCS, M6X25 mm	
20	4	5001182		NUT, HEX FLANGE, M10	
19	4	5000770		FLAT WASHER, M10 STEEL	
18	2	5001957		NUT, FLANGE, M8	
17	2	5000713		FLAT WASHER, M8	
16	2	5000426		STUD, M8	
15	1	5001671		FHCS ,M6X1.0X45	
14	1	5001454		FHTS,M5X0.8X25	
13	2	5001259		OIL TRANSFER TUBE	
12	2	5000482		O-RING, 2-011	
11	1	5001861		IDLER GEAR BRACKET	
10	2	5000487		O-RING, 2-012	
9	1	5000252-05		CAMSHAFT IDLER GEAR 31T	
8	1	5001007		NEEDLE BEARING, 12X16X10	
7	2	5001724		THRUST WASHER, 12X20X.08	
6	4	5001523		STUD, M6 X 35	
5	2	5001136		SPLIT DOWEL PIN, 5X10	
4	2	5001457		STUD, M3 X 12	
3	1	5001461		O-RING, 2-111	
2	1	5000408		COOLANT TEMPERATURE SENSOR	
1	1			SEE VALVE TRAIN	

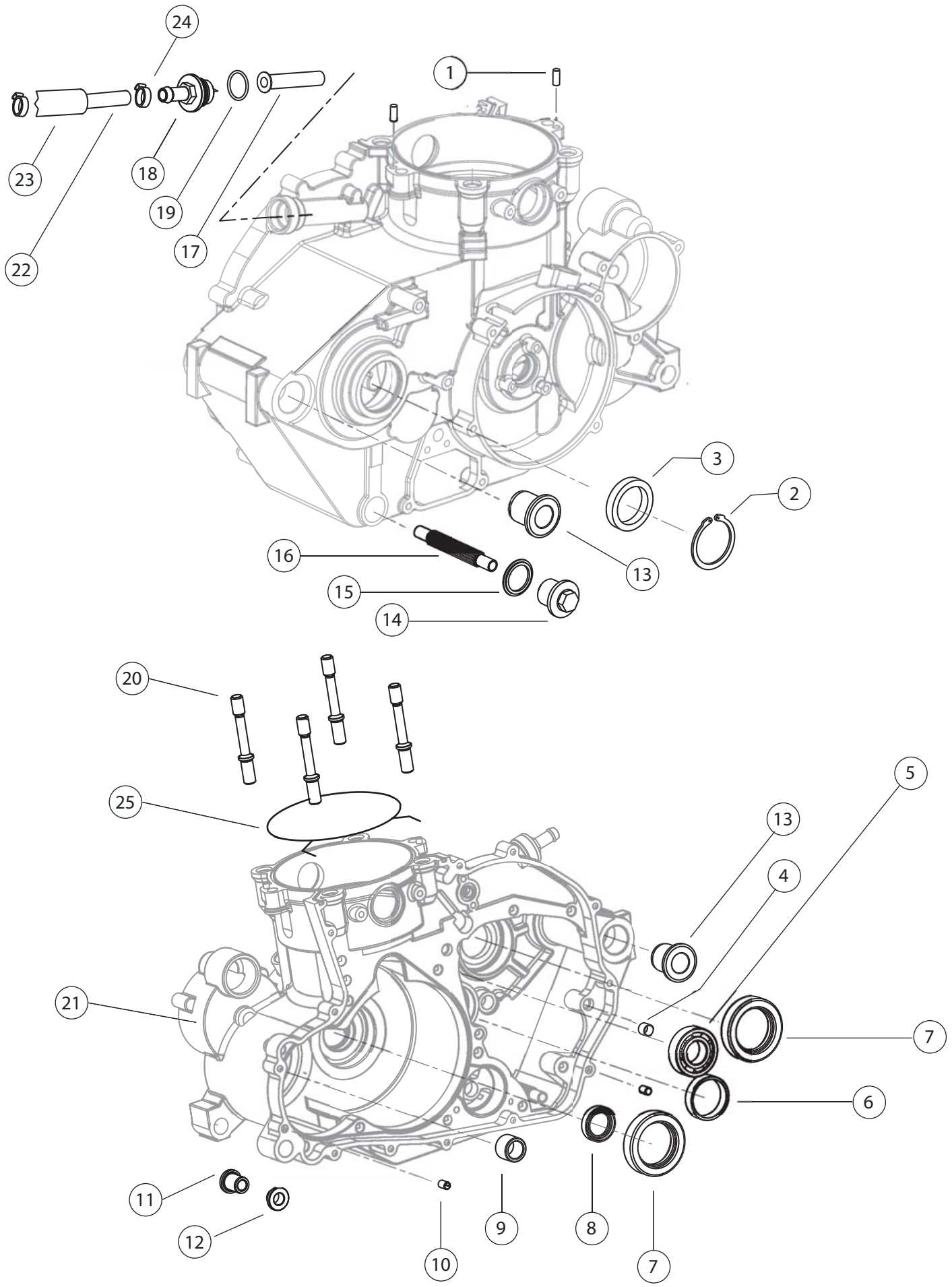
CYLINDER HEAD PARTS LIST



30		SEE TABLE	VALVE ADJUSTMENT SHIM			
29	1	5000465	OIL SEAL,14X25X5			
28	1	5000792	SOLID DOWEL PIN 5X24			
27	2	5000506	NEEDLE BEARING,16X24X13			
26	2	5000498	BALL BEARING			
25	1	5001355	OIL SEAL:16X24X5			
24	1	5001783-02	SEAL, 12X25X5 mm			
23	2	5000464	OIL SEAL,40X62X6		503-5001665	Valve Shim,2.20
22	2	5001488	SHCS, M12X 1.25X 25		503-5001666	Valve Shim,2.25
21	4	5001676	BEARING, ROLLER, 3X9.8mm		503-5001667	Valve Shim,2.30
20	2	5001406	DOWEL PIN, 2X20		503-5001668	Valve Shim,2.35
19	1	5000253	IDLER GEAR SHAFT		503-5001669	Valve Shim,2.40
18	1	5000251	CMSHFT DRV GR SHAFT		503-5001670	Valve Shim,2.45
17	2	5000249-07	CAM GEAR		503-5001186	Valve Shim,2.50
16	1	5001982	INTAKE CAMSHAFT		503-5001187	Valve Shim,2.55
15	1	512-5001756	EXHAUST CAMSHAFT ASSY		503-5001188	Valve Shim,2.60
14	4	5000874	RETAINER,BEARING		503-5001189	Valve Shim,2.65
13	4	5000463-01	VALVE STEM SEAL		503-5001190	Valve Shim,2.70
12	4	5002036	VALVE BUCKET		503-5001191	Valve Shim,2.75
11	4	5002041	VALVE SPRING KEEPER		503-5001192	Valve Shim,2.80
10	4	5002057	VALVE SPRING RETAINER		503-5001193	Valve Shim,2.85
9	4	5000210-03	INNER VALVE SPRING		503-5001194	Valve Shim,2.90
8	4	5000209-03	OUTER VALVE SPRING		503-5001195	Valve Shim,2.95
7	4	5000208	VALVE SPRING SEAT		503-5001196	Valve Shim,3.00
6	2	5002335	EXHAUST VALVE		503-5001197	Valve Shim,3.05
5	2	5002334	INTAKE VALVE		503-5001198	Valve Shim,3.10
4	4	5000205	VALVE GUIDE	INCLUDED IN 502-5001446	503-5001199	Valve Shim,3.15
3	2	5001965	EXHAUST VALVE SEAT	INCLUDED IN 502-5001446	503-5001200	Valve Shim,3.20
2	2	5001964	INTAKE VALVE SEAT	INCLUDED IN 502-5001446	503-5001201	Valve Shim,3.25
1	1	502-5001446	CYLINDER HEAD SUB ASSY		503-5001202	Valve Shim,3.30
ITEM NO.	QTY REQ	DEALER PART NO.	DESCRIPTION	NOTES	DEALER PART NO.	DESCRIPTION
VALVE TRAIN PARTS LIST					ADDITIONAL PARTS TABLE	

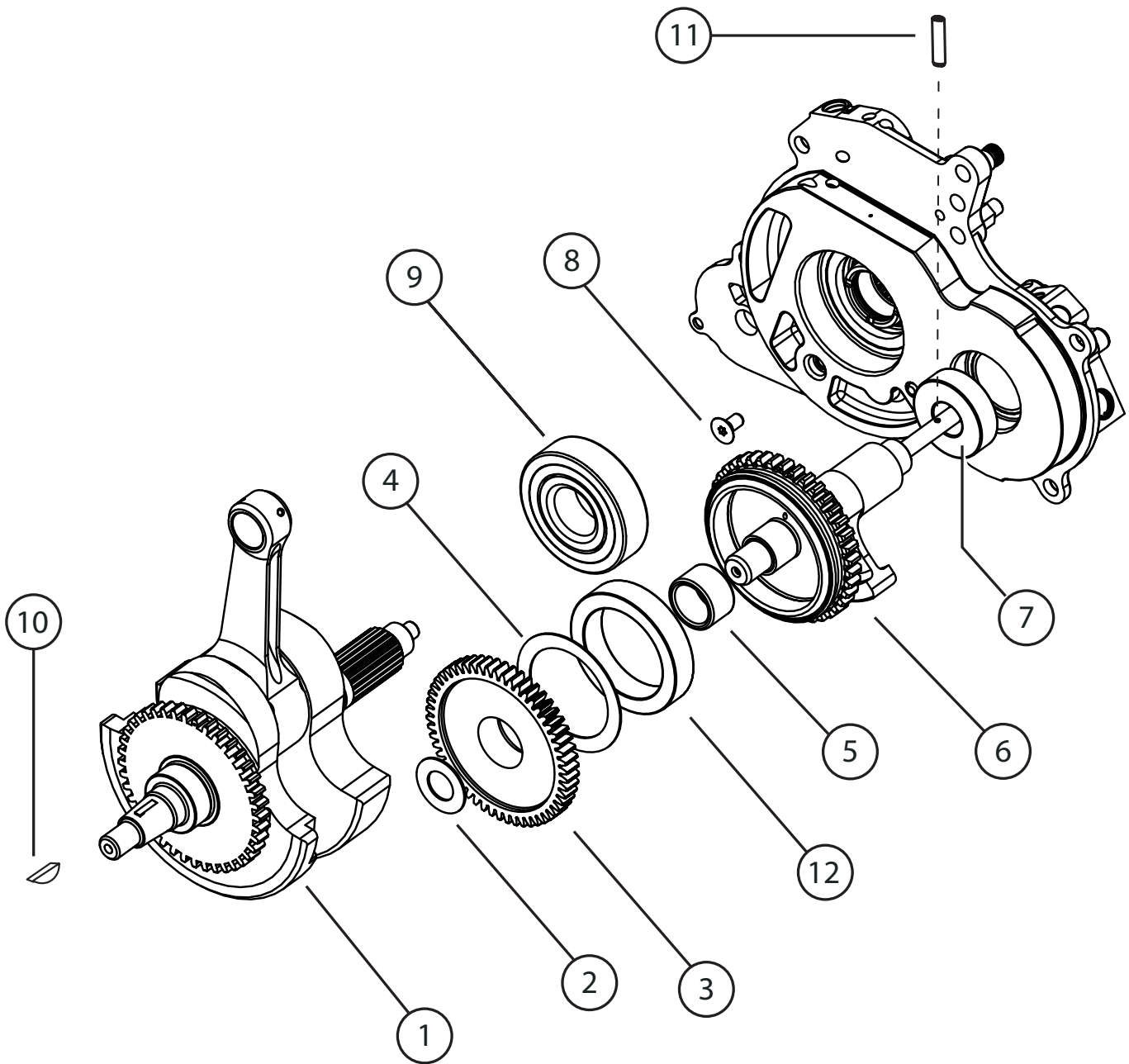


20	1	5001156			SPACER, DRIVE GEAR SPROCKET	
19	2	5001007			NEEDLE BEARING, 12X16X10	
18	1	5000250			DRIVE GEAR SPROCKET 27T, 33T	
17	2	5001724			WASHER, THRUST, 12X20X.08	
16	1	5001862			CAMSHAFT DRIVE GEAR BRACKET	
15	1	5001475			SHCS , M5X0.8X12 mm	
14	1	5001477			SHCS , M5X0.8X18 mm	
13	2	5001480			SHCS , M5X0.8X50 mm	
12	2	5001491			SHCS , M6X1.0X16 mm	
11	1	5001102			CAM CHAIN TENSIONER ASSEMBLY	
10	1	5001028			EXTRNL RETAINING RING, M10	
9	1	5000671-04			CAM CHAIN TENSIONER SHOE	
8	2	5001947			SHCS , M6X1.0X14 mm	
7	1	5001039-03			TIMING CHAIN GUIDE	
6	1	5001829-03			TIMING CHAIN GUIDE SUPPORT	
5	1	5002157-04			CAM CHAIN TENSIONER PVT BOLT	
4	1	5000420			TBHCS, M5X0.8X10 mm, SS	
3	1	5001948			CAM CHAIN TENSIONER SHOE PIVOT	
2	1	5000482			O-RING, 2-011	
1	1	5002332			TIMING CHAIN	
ITEM NO	QTY REQD	DEALER PART NUMBER	M/C	ATV MODEL	DESCRIPTION	NOTES
CAM DRIVE PARTS LIST						



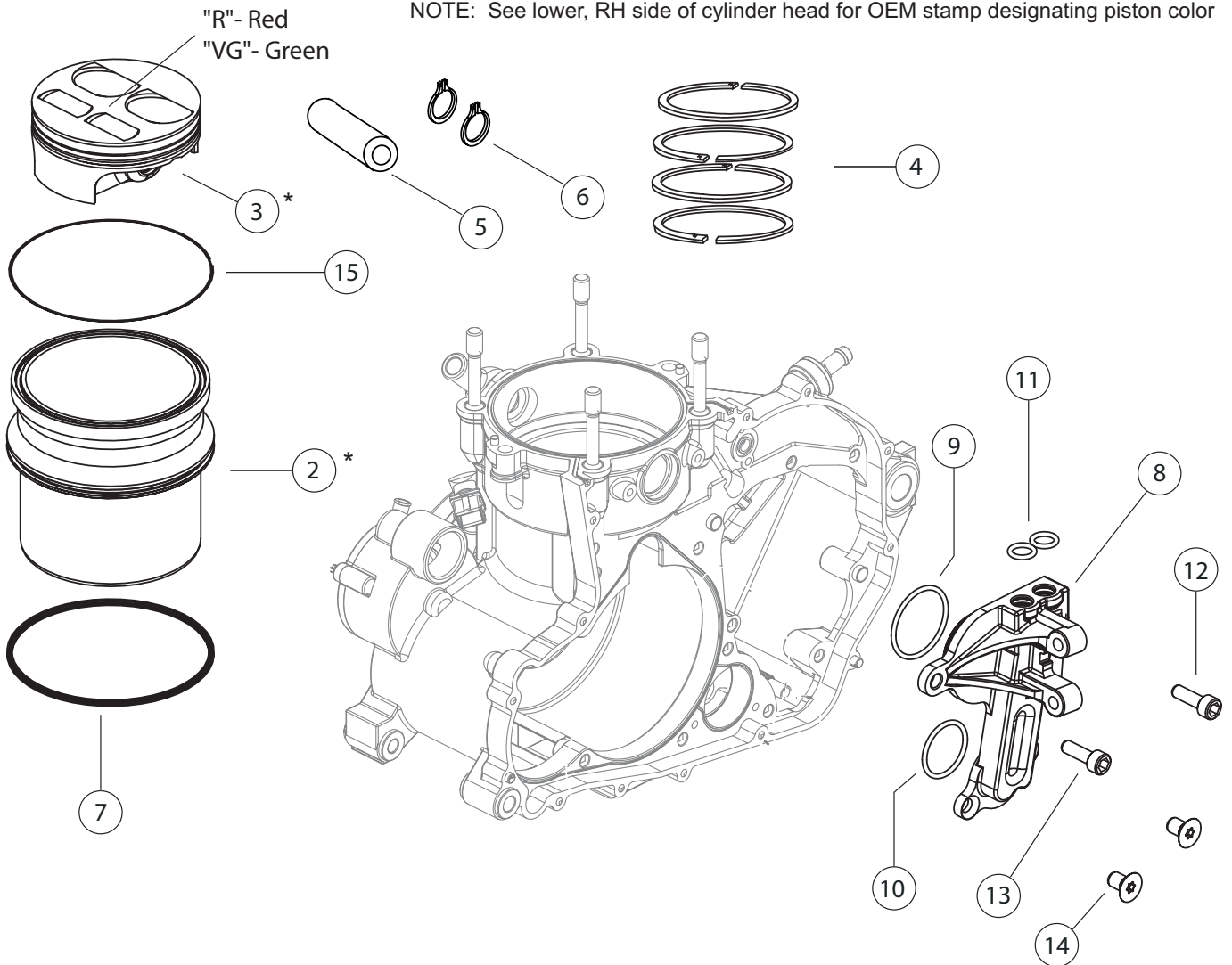
25	1	5002161			CYLINDER HEAD SEAL	
24	2	5000793			SCREW CLAMP	
23	1	5000773			HOSE SHEATH	
22	1	5001349			OIL INLET HOSE	
21	1	552-5001921			CRANKCASE	
20	1	5001731			CYL HEAD STUD, COLD HEADED	INCLUDED IN 552-5001921
19	1	5001063			O-RING, 2-018	
18	1	5001062			ENGINE OIL INLET FITTING	
17	1	5001117			ENGINE OIL INLET SCREEN ASSY	
16	1	5000389			TRANSMISSION OIL FILTER	
15	1	5002405			WASHER, TRANSMISSION DRAIN	
14	1	5002404			TRANSMISSION OIL FILTER PLUG	
13	2	5000649-02			RR ENGINE MOUNTNG BUSHING	INCLUDED IN 552-5001921
12	2	5000648			FT OUTER ENGINE MOUNTING BUSHING	INCLUDED IN 552-5001921
11	2	5000650-02			FT INNER ENGINE MOUNTING BUSHING	INCLUDED IN 552-5001921
10	2	5001136			SPLIT DOWEL PIN, 5X10	
9	1	5001675			NEEDLE BEARING, 15X21X16	INCLUDED IN 552-5001921
8	1	5000469			OIL SEAL, 20X30X7 HMS4	
7	2	5001871			ROLLER BEARING, 31.5X52X15	INCLUDED IN 552-5001921
6	1	5000820			NEDLE BEARING, 33.3X38.3X9.5	INCLUDED IN 552-5001921
5	1	5000500			BALL BEARING, 20X42X12	INCLUDED IN 552-5001921
4	2	5001557-03			HOLLOW DOWEL PIN	
3	1	5000470			OIL SEAL, 30X40X7	
2	1	5001135			INTRNL CIRCLIP, 40mm	
1	2	5001051			SOLID DOWEL PIN, 5X12	
ITEM NO	QTY REQD	DEALER PART NUMBER	MO MODEL	SP	DESCRIPTION	NOTES

CRANKCASE PARTS LIST



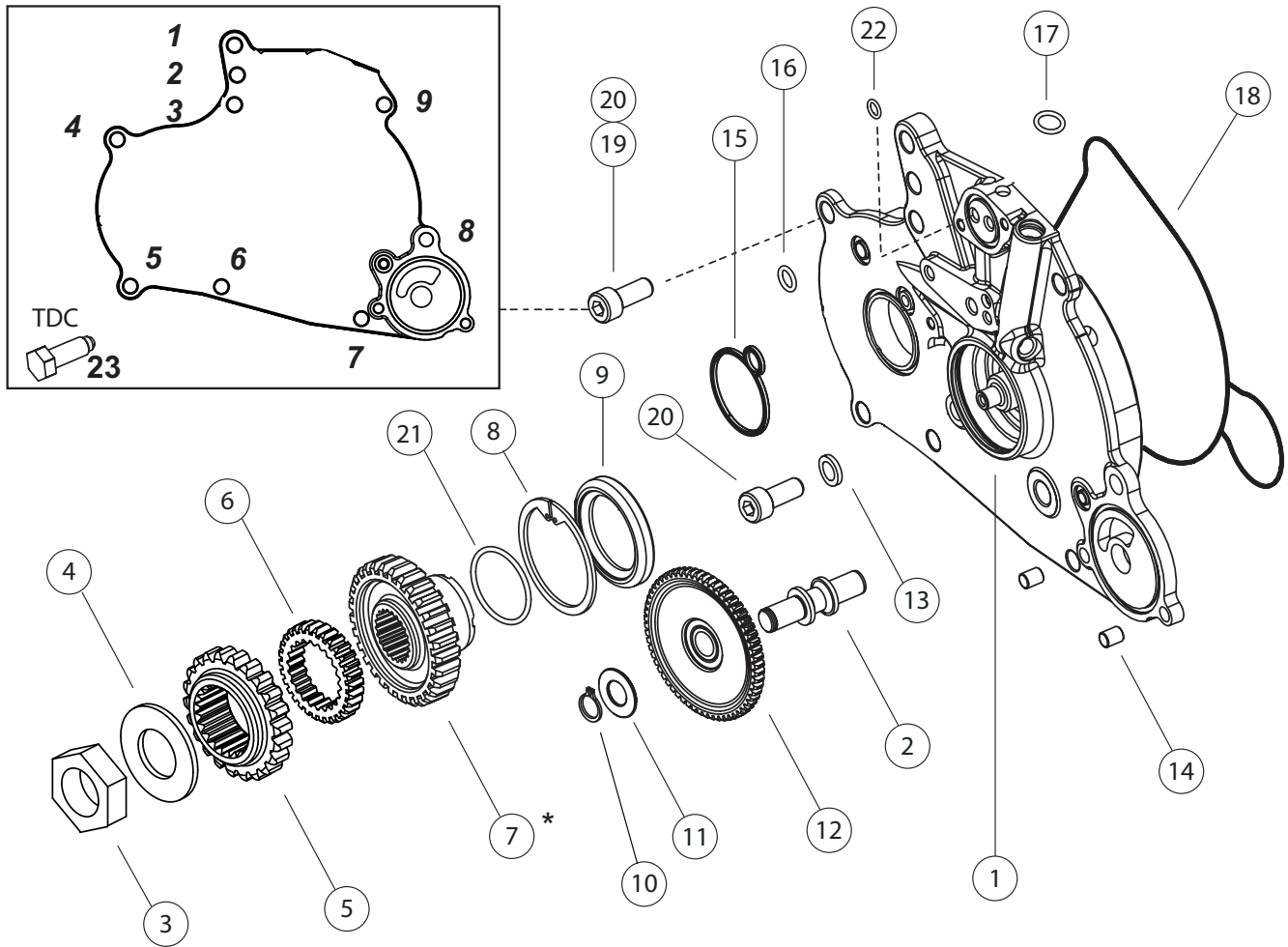
12	1	5000519			STARTER CLUTCH FWD	
11	1	5001146			DOWEL PIN, .0627X.375	
10	1	5001970			WOODRUFF KEY	
9	1	5001796			BEARING, 25X62X17 mm, PLSTC	INCLUDED IN CRANK PLATE 5002419
8	1	5001608			FLTHD SCRW, M6X1.0X12	
7	1	5000816			BALL BEARING:17X40X12-SEALED	INCLUDED IN CRANK PLATE 5002419
6	1	5001124			BALANCE SHAFT ASSY	
5	1	5001793			BEARING, NEEDLE, 20X26X16	
4	1	5001622			ONE WAY CLUTCH SPACER	
3	1	5000283-05			STARTER GEAR, 54T	
2	1	5000998			BALANCE SHAFT THRUST WASHER	
1	1	531-5001961			CRANKSHAFT ASSEMBLY	
ITEM NO	QTY REQD	DEALER PART NUMBER	M/C	ATV MODEL	DESCRIPTION	NOTES
CRANKSHAFT PARTS LIST						

NOTE: See lower, RH side of cylinder head for OEM stamp designating piston color



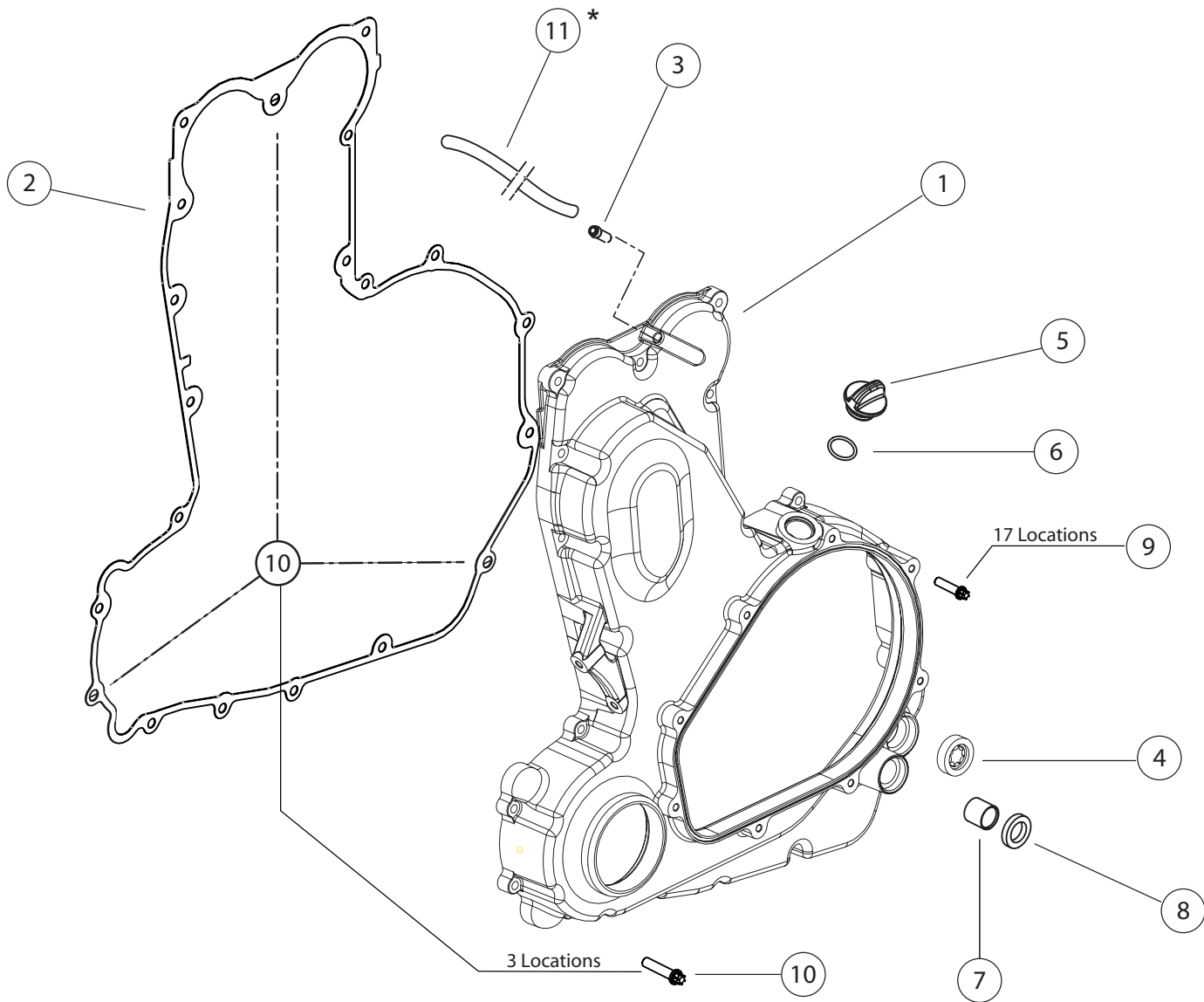
15	1	5001787			O-RING, 100X2.5 mm	
14	2	5001935			FHTS, M5X14 mm	
13	1	5001477			SHCS ,M5X18 mm	
12	1	5001475			SHCS ,M5X12 mm	
11	2	5000482			O-RING, 2-011	
10	1	5000921			O-RING, 2-019	
9	1	5000915			O-RING, 2-023	
8	1	5001866-03			PISTON PIN ACCESS COVER	
7	1	5000627			QUAD-RING, CYLINDER LINER	
6	2	5002315			PISTON PIN CIRCLIP	INCLUDED IN 522-5002395
5	1	5002314			PISTON PIN, 18 X 46.48 mm	INCLUDED IN 522-5002395
4	1	522-5002316			PISTON RING SET	INCLUDED IN 522-5002395
*	1	5002396G			PISTON, 95 mm, GREEN	Match w / Liner INCLUDED IN 522-5002395
3	1	5002396R			PISTON, 95 mm, RED	Match w / Liner INCLUDED IN 522-5002395
*	1	5002397G			LINER, 95 mm, GREEN	Match w / Piston INCLUDED IN 522-5002395
2	1	5002397R			LINER, 95 mm, RED	Match w / Piston INCLUDED IN 522-5002395
1	1	522-5002395			PISTON/LINER KIT	
ITEM NO	QTY REQD	DEALER PART NUMBER	MC ATV MODEL		DESCRIPTION	NOTES

PISTON PARTS LIST



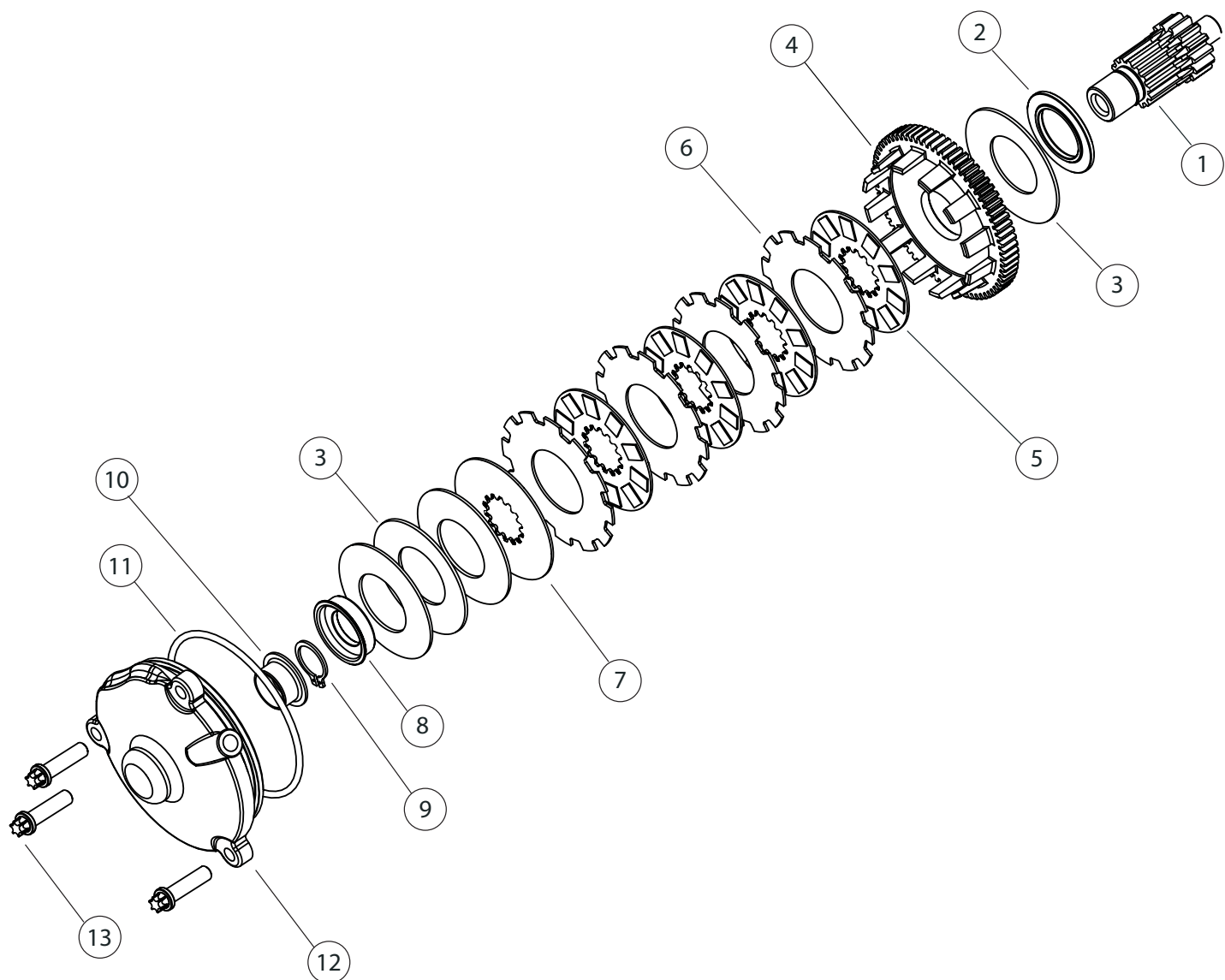
23		5000428			TDC SCREW	TDC SPECIAL TOOL
22	1	5000304			O-RING, 2-009	
21	1	5001120			O-RING, 2-022	
20	5	5001484			SHCS, M8 X 1.25X 20	POSITIONS 4...5...6...7...9
19	4	5001485			SHCS, M8 X 1.25X 25	POSITIONS 1...2...3...8
18	1	5001903			CRANKSHAFT CARTRIDGE PLATE SEAL	
17	1	5000487			O-RING, 2-012	INCLUDED IN 5002419
16	1	5000482			O-RING, 2-011	
15	1	5002329			PRESSURE PUMP SEAL	
14	2	5001037			SCAVENGE PUMP LOCATING DOWEL	
13	1	5001374			SPACER, 16x8.4x3.2, mm	
12	1	5002015			SCAVENGE PUMP IDLER GEAR	
11	1	5001244			THRST WASHER 10.1X20X1	
10	1	5001028			EXTERNAL RETAINING RING, M10	
9	1	5000466			OIL SEAL, 33X47X7	
8	1	5001109			INTERNAL RETAINING RING, 47mm	
*	1	6000227		X	PRIMARY DRIVE GEAR: 28T	
7	1	5000630		X	PRIMARY DRIVE GEAR: 29T	
6	1	5000367-04			SCAVENGE PUMP DRIVE GEAR: 30T	
5	1	5000263			TIMING CHAIN SPROCKET: 22T	
4	1	5001110			DISC SPRING, 16.3 X 31.5 X 2	
3	1	5000216			JAM NUT, M16X1.5	
2	1	5000629-07			IDLR GEAR SHAFT 10X45	INCLUDED IN 5002419
1	1	5002419			CRANKSHAFT CARTRIDGE PLATE	
ITEM NO	QTY REQD	DEALER PART NUMBER	MC	ATV MODEL	DESCRIPTION	NOTES

CRANKSHAFT CARTRIDGE PLATE PARTS LIST



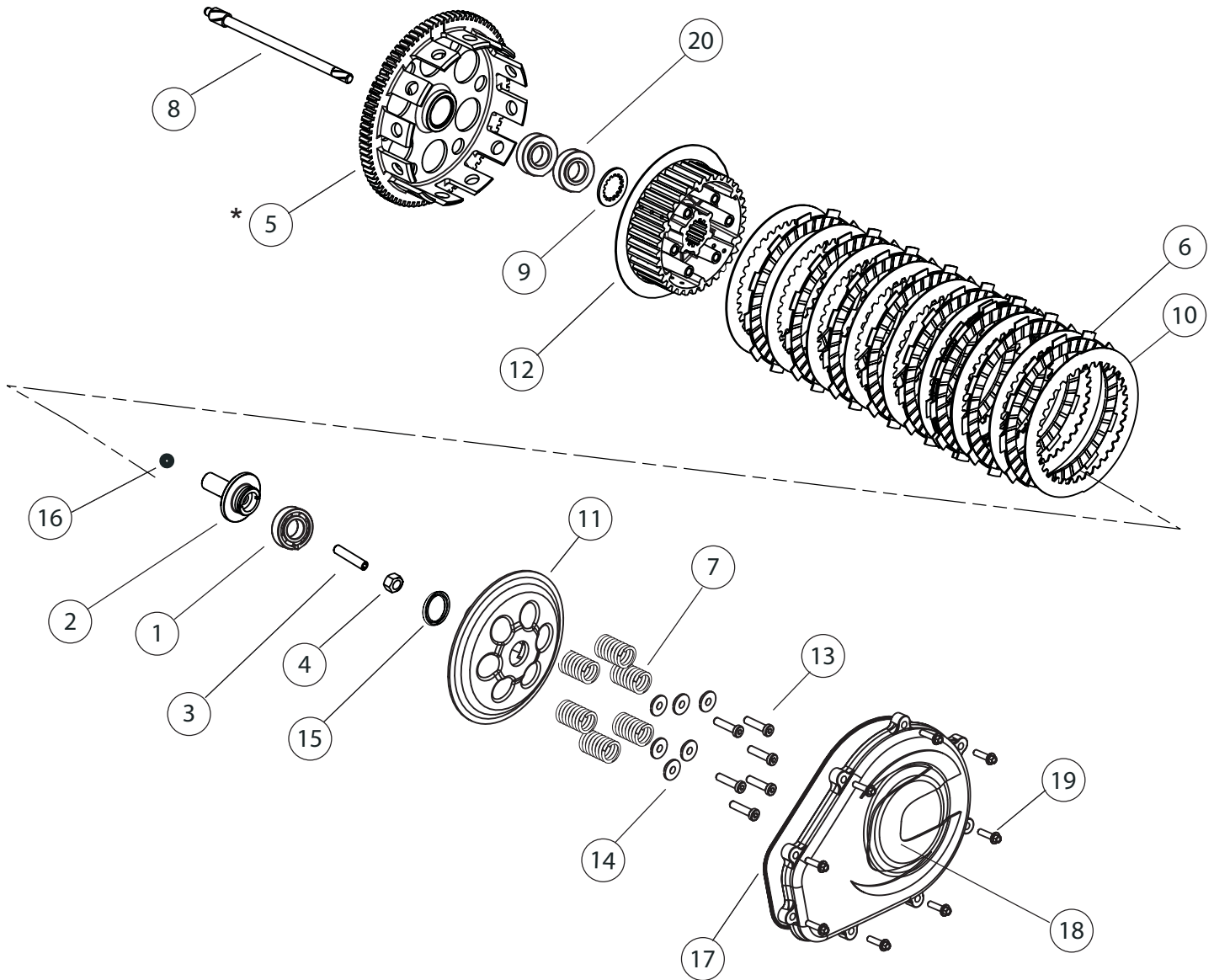
*	1	5001556-03		X	BREATHER HOSE	
11	1	5000962	X		BREATHER HOSE	
10	3	5001944			FHB M5X25 mm	
9	17	5001927			FHB M5X20 mm	
8	1	5000473			OIL SEAL: 14X22X4 (2 LIP)	
7	1	5000517			BUSHING	
6	1	5000828			O-RING, 2-016	
5	1	5001434-03			TRANSMISSION OIL FILL CAP	
4	1	5002071			OIL LEVEL SIGHT WINDOW	INCLUDED IN 553-5002269
3	1	5001255-03			HOSE NIPPLE, 6M	INCLUDED IN 553-5002269
2	1	5000315-05			CRANKCASE COVER GASKET	
1	1	553-5002269			CRANKCASE COVER	
ITEM NO	QTY REQD	DEALER PART NUMBER	MC	ATV MODEL	DESCRIPTION	NOTES

CRANKCASE COVER PARTS LIST



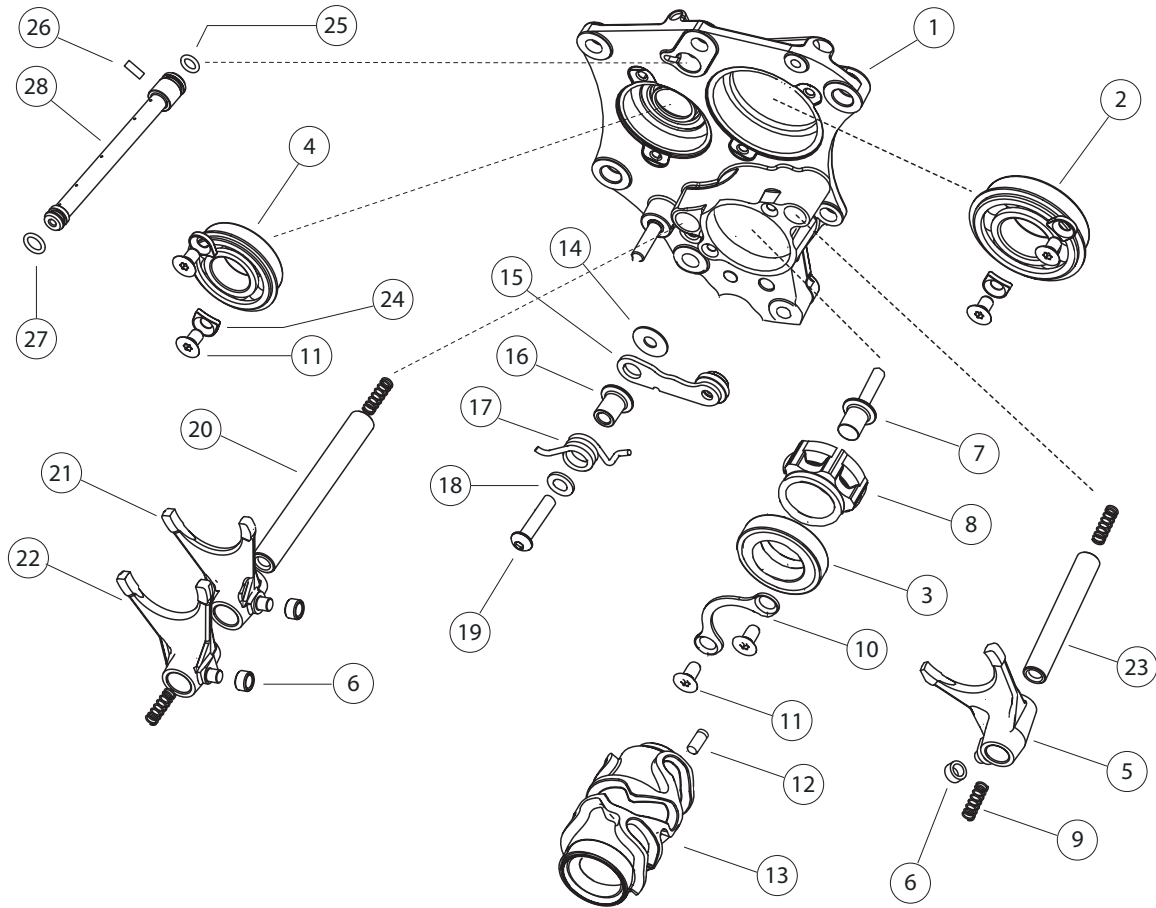
13	3	5001926			FHB M5X16 mm, Zinc	
12	1	5001863-05			STARTER CLUTCH COVER	
11	1	5001275			O-RING, 2-147	
10	1	5001902			BUSHING, FLANGE, 15X17X9 mm	
9	1	5001598			EXTERNAL RETAINING RING: 15	
8	1	5002160			STARTER CLUTCH BUSHING	
7	1	5001496-04			STARTER CLUTCH PRESSURE PLATE	
6	4	5001497-02			STARTER CLUTCH METALLIC DISC	
5	4	5001495			STARTER CLUTCH FRICTION DISC	
4	1	5001465-04			STARTER CLUTCH BASKET	
3	4	5001797			DISC SPRING, 50X1.25	
2	1	5001814-04			STARTER CLUTCH BUSHING B	
1	1	5001466-06			STARTER CLUTCH SHAFT	
ITEM NO	QTY REQD	DEALER PART NUMBER	M/C MODEL	ATV MODEL	DESCRIPTION	NOTES

STARTER CLUTCH PARTS LIST

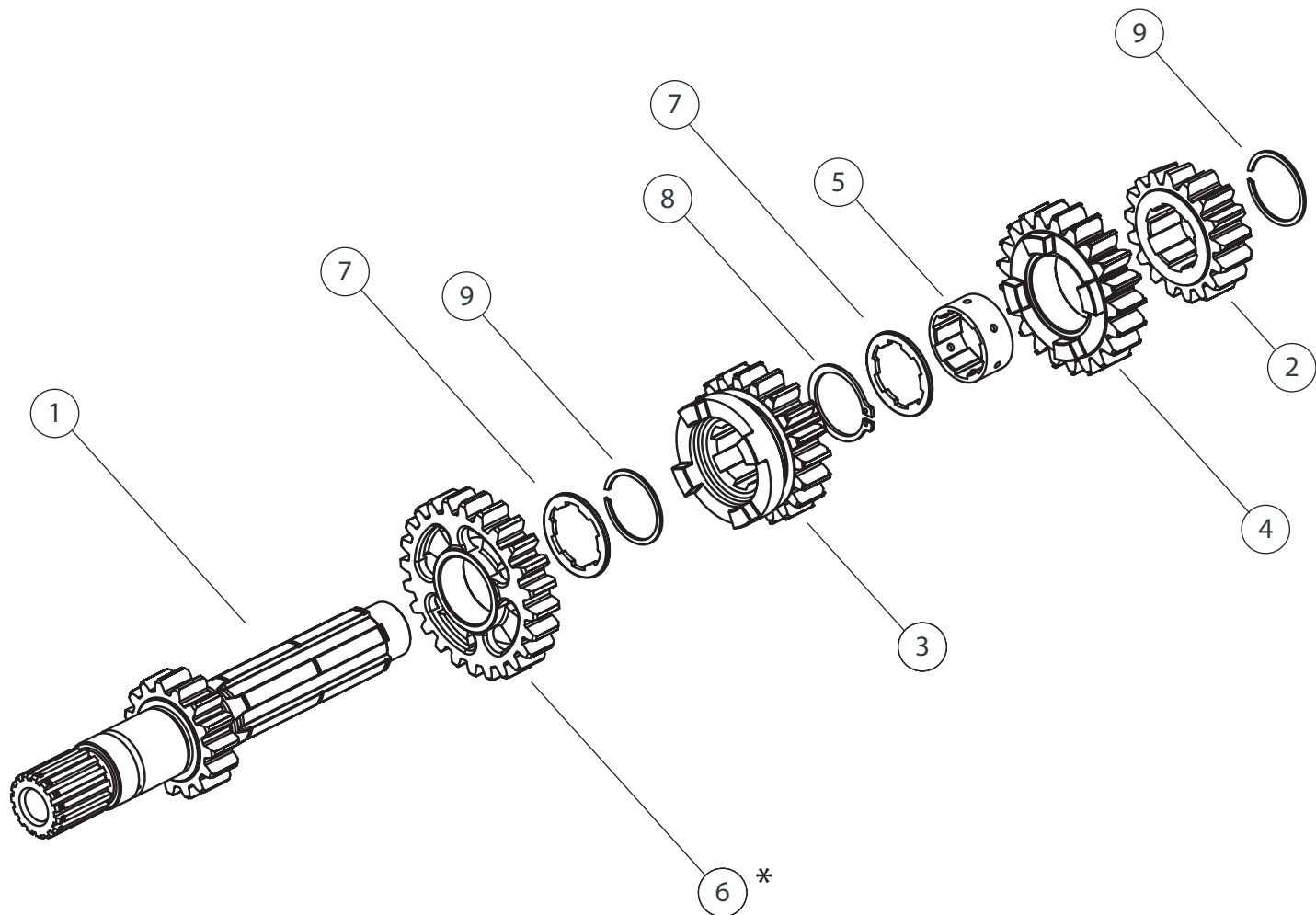


20	2	5002050			BEARING, CLUTCH BASKET	INCLUDED W/ BASKET
19	8	5001927			FHB M5X20 mm, ZINC	
18	1	5001694			CLUTCH COVER	
17	1	5002046			CLUTCH COVER SEAL	
16	1	5001280			BALL BEARING, 8mm	
15	1	5001119			EXTRNL RETAINING RING: 24	
14	6	5000455-02			SEAT, SPRING, CLUTCH	
13	6	5001482			SHCS ,M6X25 mm	
12	1	5001627			HUB, CLUTCH	
11	1	5002025			PRESSURE PLATE, CLUTCH	
10	10	5001976			CLUTCH PLATE, STEEL, 1.0mm	
9	1	5001069			WASHER, SPLINED	
8	1	5002163-02			CLUTCH PUSHROD	
7	6	5001924			SPRING, CLUTCH	
6	9	5000333			CLUTCH PLATE, FRICTION, 2.32mm	
*	1	562-6000331		X	CLUTCH BASKET ASSEMBLY	
5	1	562-5001129	X		CLUTCH BASKET ASSEMBLY	
4	1	5001928			NUT, HEX, M5	
3	1	5002272			SCREW, SET M5X25	
2	1	5002158			CLUTCH RELEASE COLLAR	
1	1	5002026			BEARING, BALL, 16004	
ITEM NO	QTY REQD	DEALER PART NUMBER	M/C	ATV MODEL	DESCRIPTION	NOTES

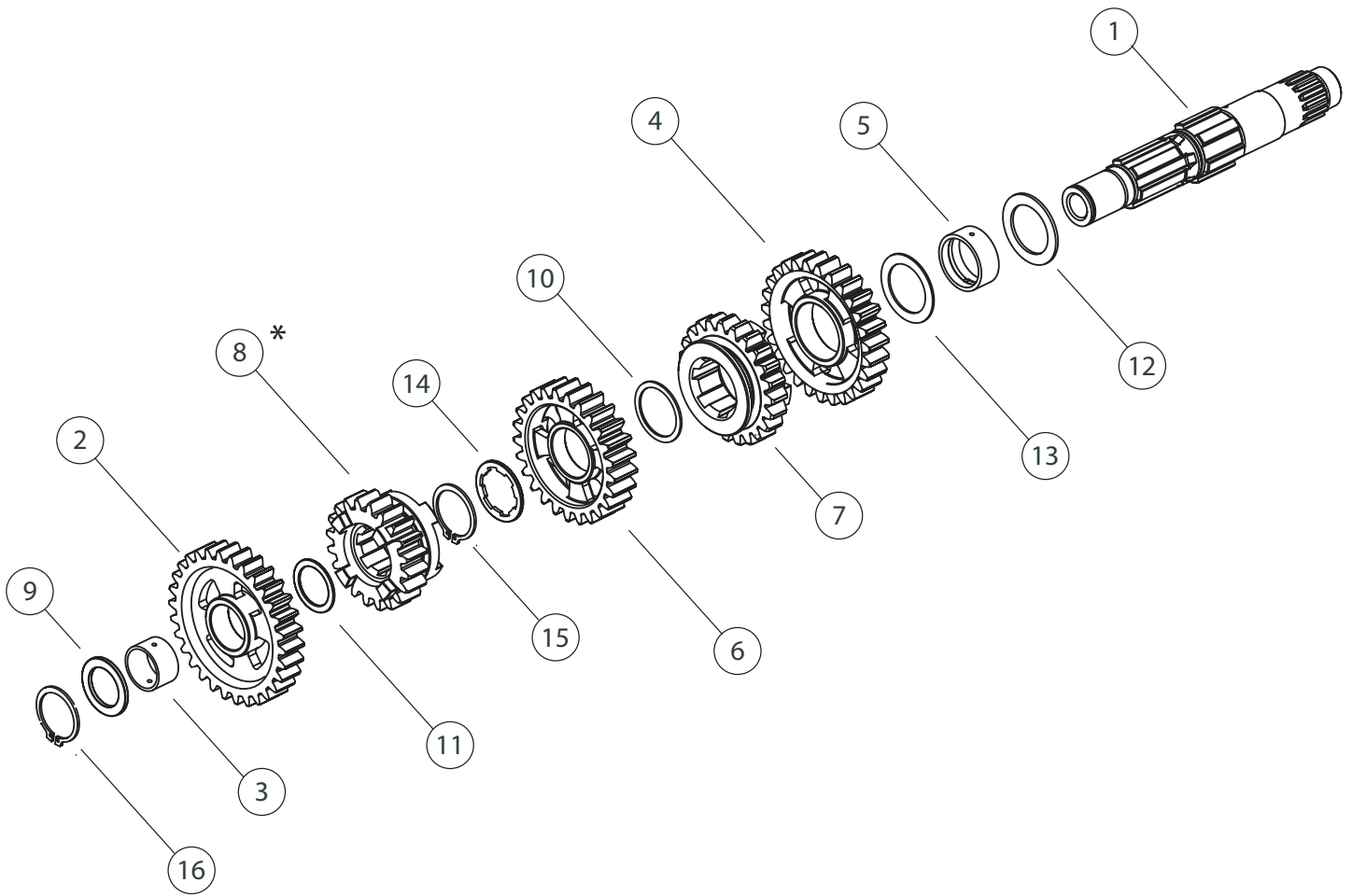
CLUTCH PARTS LIST



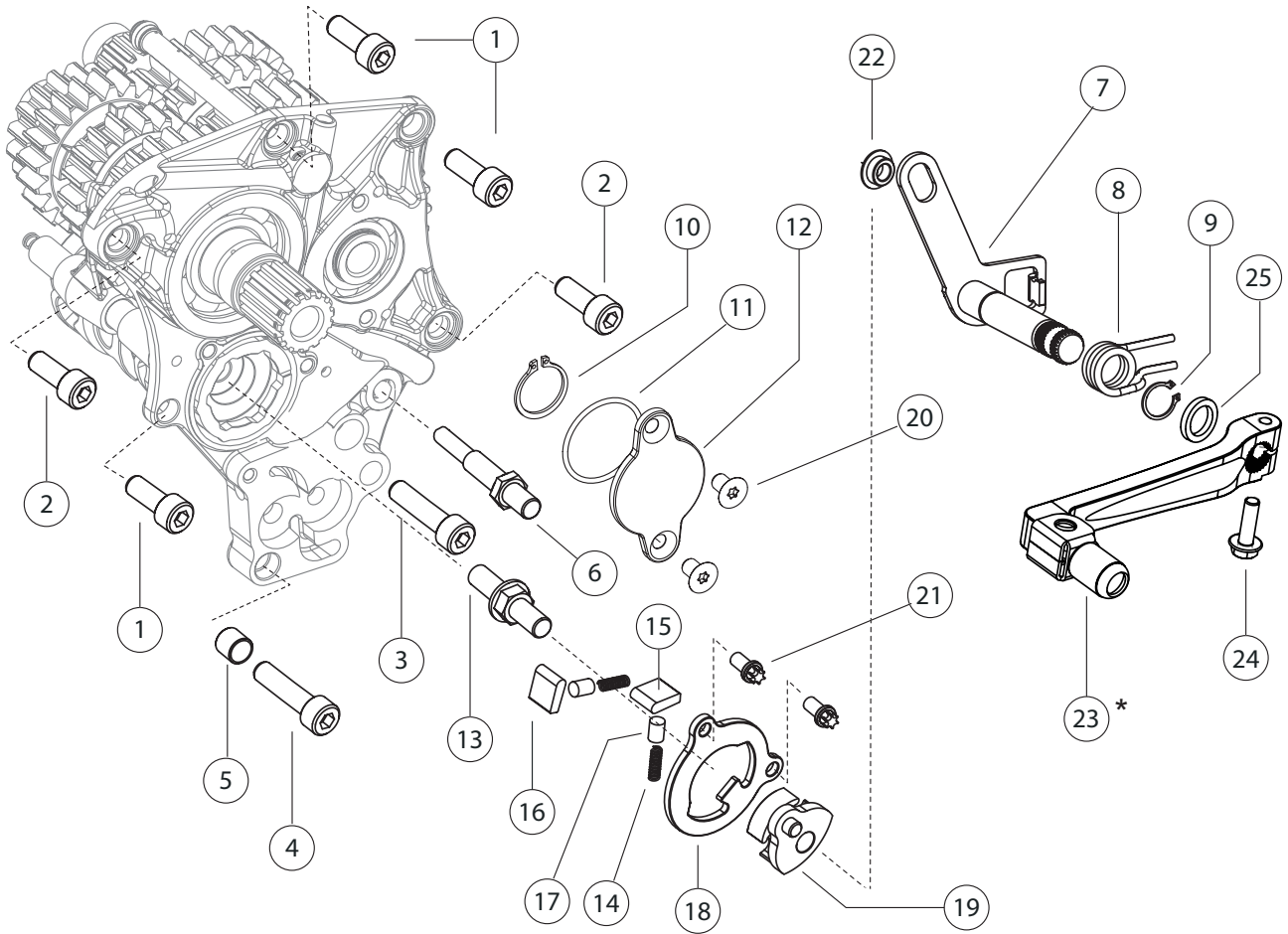
28	1	542-5001132			SPRAYBAR ASSEMBLY	
27	1	5000482			O-RING, 2-011	INCLUDED IN 542-5001132
26	1	5001630			DOWEL PIN, 3 X 11.8	INCLUDED IN 542-5001132
25	1	5000930			O-RING, 2-010	INCLUDED IN 542-5001132
24	2	5000917			BEARING RETAINER PLATE	
23	1	5000345			MAINSHAFT SHIFT FORK SHAFT	
22	1	5001619			COUNTERSHAFT SHIFT FORK 2ND	
21	1	5001618			COUNTERSHAFT SHIFT FORK 1 & 3	
20	1	5000346			COUNTERSHAFT SHIFT FORK SHAFT	
19	1	5001628			BHCS, M6 X 1.0 X 30	
18	1	5000880			WSHR .251X.560X.062	
17	1	5000364			DETENT LEVER SPRING	
16	1	5000358			DETENT LEVER BOLT	
15	1	5002336			DETENT LEVER ASSEMBLY	
14	1	5001548			WASHER, TRA-411	
13	1	572-5001131			SHIFT DRUM ASSEMBLY	
12	1	5001509			SOLID DOWEL PIN, 4 X 8	INCLUDED IN 5001519
11	6	5001935			FLTHD TXSCW, M5X0.8X14	
10	1	5000656-02			SHIFT DRUM BEARING RETAINER	
9	1	5000996			SHIFT FORK CENTERING SPRING	
8	1	5000348			SHIFT CAPSTAN	
7	1	5000660-04			SCREW, SHIFT PIN	
6	3	5000997			SHIFT FORK ROLLER BUSHING	
5	1	5001617			MAINSHAFT SHIFT FORK 1 & 3	
4	1	5001076			BALL BEARING, 20X42X12	INCLUDED IN 5001519
3	4	5000655			BALL BEARING, 25X42X9	INCLUDED IN 5001519
2	1	5000654			BALL BEARING, 25X52X15	INCLUDED IN 5001519
1	1	5001519			TRANSMISSION CARTRIDGE PLATE	
ITEM NO	QTY REQD	DEALER PART NUMBER	M/C MODEL	ATV MODEL	DESCRIPTION	NOTES
TRANSMISSION CARTRIDGE PLATE, REAR						



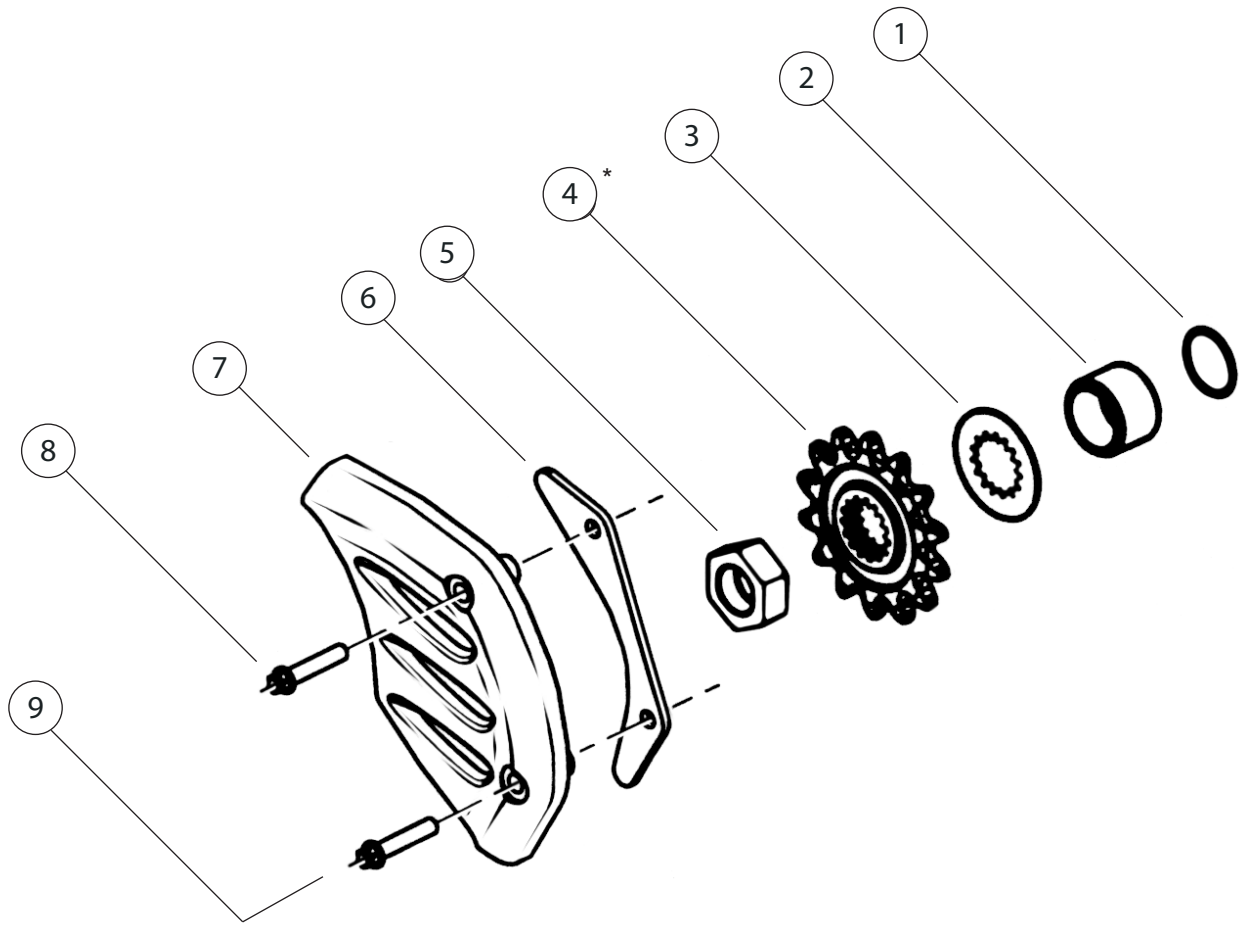
9	2	5001425			CONSTANT SECTION RTNG RING	
8	1	5000461			EXTERNAL RETAINING RING: 25	
7	2	5000454			SPLINED WASHER: 25	
*	1	5002415			MAINSHAFT 5TH GEAR	MOTARD
6	1	6000554			MAINSHAFT 5TH GEAR	
5	1	5000292			MAINSHAFT SPLINED BUSHING	
4	1	5000291-04			MAINSHAFT 4TH GEAR	
3	1	5000290-06			MAINSHAFT 3RD GEAR	
2	1	6000555			MAINSHAFT 2ND GEAR	
1	1	5000288-08			MAINSHAFT	
ITEM NO	QTY REQD	DEALER PART NUMBER	M/C MODEL	ATV MODEL	DESCRIPTION	NOTES
MAINSHAFT PARTS LIST						



16	1	5001606			EXTERNAL RETAINING RING, 20	
15	1	5000461			EXTERNAL RETAINING RING, 25	
14	1	5000454			SPLINED WASHER: 25	
13	1	5000908			THRUST WASHER, 35X25.2X1	
12	1	5000657			THRST WASHER, 25.1X36X1.5	
11	1	5000446			THRUST WASHER, 19	
10	1	5000445			THRUST WASHER: 25.2X30	
9	1	5000441			THRST WASHER, MAINSHAFT	
*	1	5002414			COUNTERSHAFT 5TH GEAR	MOTARD
8	1	6000558			COUNTERSHAFT 5TH GEAR	
7	1	5000300			COUNTERSHAFT 4TH GEAR	
6	1	6000557			COUNTRSHAFT 3RD GEAR	
5	1	5000298			COUNTRSHAFT 2ND GEAR BUSHING	
4	1	6000556			COUNTERSHAFT 2ND GEAR	
3	1	5000296			COUNTRSHAFT 1ST GEAR BUSHING	
2	1	5000295-05			COUNTERSHAFT 1ST GEAR	
1	1	5000294-06			COUNTERSHAFT	
ITEM NO	QTY REQD	DEALER PART NUMBER	M/C	ATV MODEL	DESCRIPTION	NOTES
COUNTERSHAFT PARTS LIST						

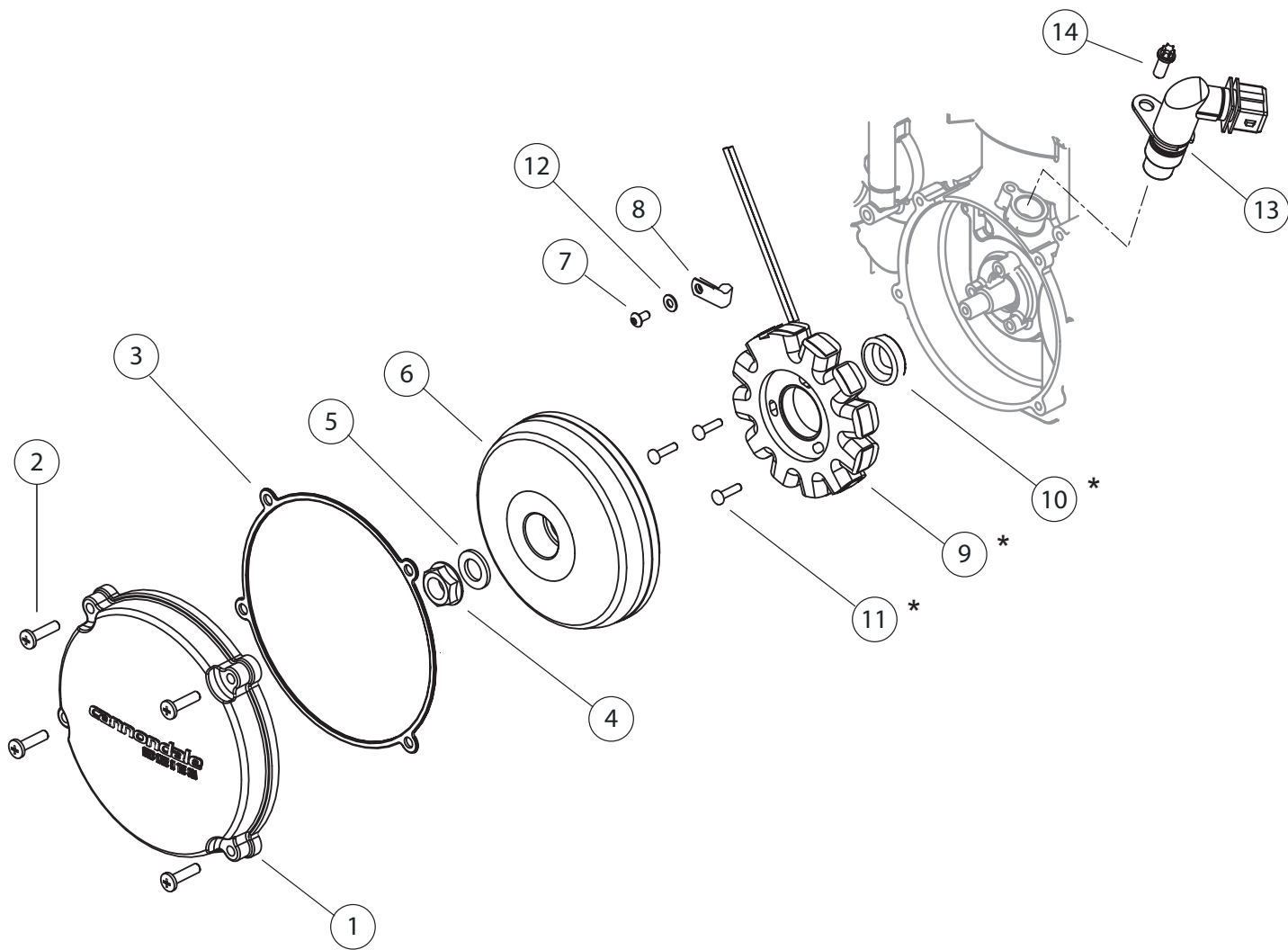


25	1	5000928			SHIFT SHAFT SPACER	
24	1	5000095			FHB, M6X20 mm, NYLK	
*	1	6000211		X	GEARSHIFT LEVER, ATV	
23	1	5000341		X	GEARSHIFT LEVER	
22	1	5000366			SHIFT COLLAR	
21	2	5001947			BHTS M5X14 mm	
20	2	5001935			FLTHD TXSCW, M5X0.8X14 mm	
19	1	5000658			SHIFT DRUM RATCHET	
18	1	5000360-06			SHIFT DRUM RATCHET PLATE	
17	2	5000354			SHIFT PAWL PLUNGER	
16	1	5000351-02			SHIFT PAWL B	
15	1	5000352-02			SHIFT PAWL A	
14	2	5000353			SHIFT PAWL SPRING	
13	1	5000660-04			SCREW, SHIFT PIN	
12	1	5000662			MAINSHAFT END CAP	
11	1	5000968			O-RING, 2-025	
10	1	5001028			EXTRNL RTNING RING, M10	
9	1	5000462			EXTRNL RTNING RING:14mm	
8	1	5000365			SHIFT SHAFT SPRING	
7	1	5000340			SHIFT SHAFT WELDMENT	
6	1	5000359-05			SHIFT STOP PIN	
5	1	5001557-03			HOLLOW DOWEL PIN	
4	1	5001487			SHCS, M8 X1.25X35	
3	1	5001486			SHCS, M8 X1.25X30	
2	2	5001485			SHCS, M8 X1.25X25	
1	3	5001484			SHCS, M8 X1.25X20	
ITEM NO	QTY REQD	DEALER PART NUMBER	M/C	ATV MODEL	DESCRIPTION	NOTES
TRANSMISSION CARTRIDGE PLATE , FRONT						

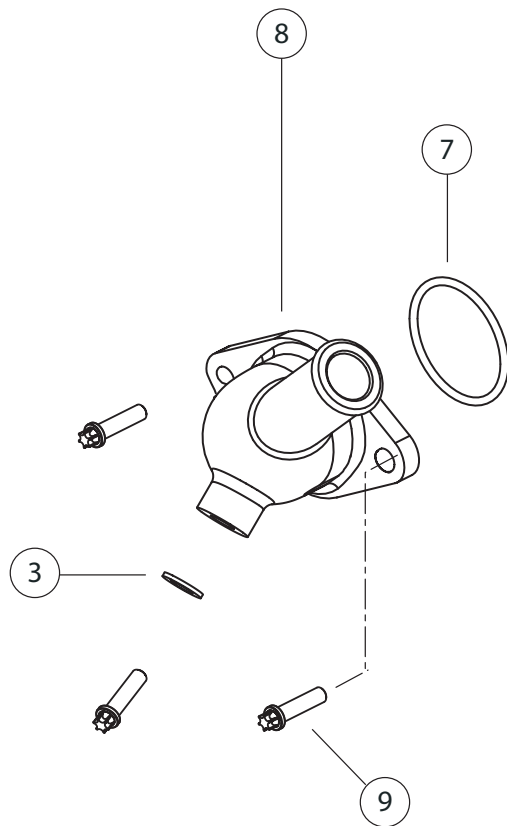
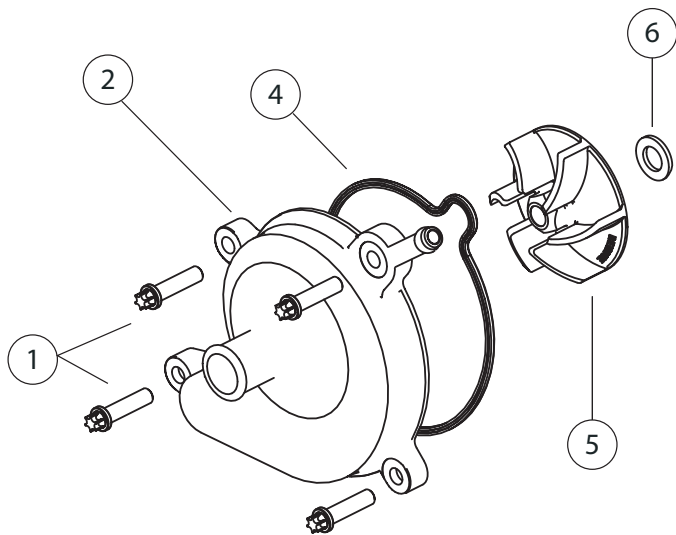


9	1	5002195			FHB, M6X65 mm	
8	1	5000862			FHB, M6X40 mm	
7	1	5000468-02			COUNTERSHAFT SPROCKET COVER	
6	1	5000321			DRIVE CHAIN GUIDE PLATE	
5	1	5000991			RETAINING NUT	
*	1	5000278			COUNTERSHAFT SPROCKET:15T	
*	1	5000276			COUNTERSHAFT SPROCKET:14T	MOTO440, MOTARD
4	1	5000118	X	X	COUNTERSHAFT SPROCKET:13T	
3	1	5000990			SPLINED LOCK WASHER	
2	1	5000693-05			COUNTERSHAFT SPROCKET SPACER	
1	1	5000494			O-RING, 2-021	
ITEM NO	QTY REQD	DEALER PART NUMBER	MC	ATV MODEL	DESCRIPTION	NOTES

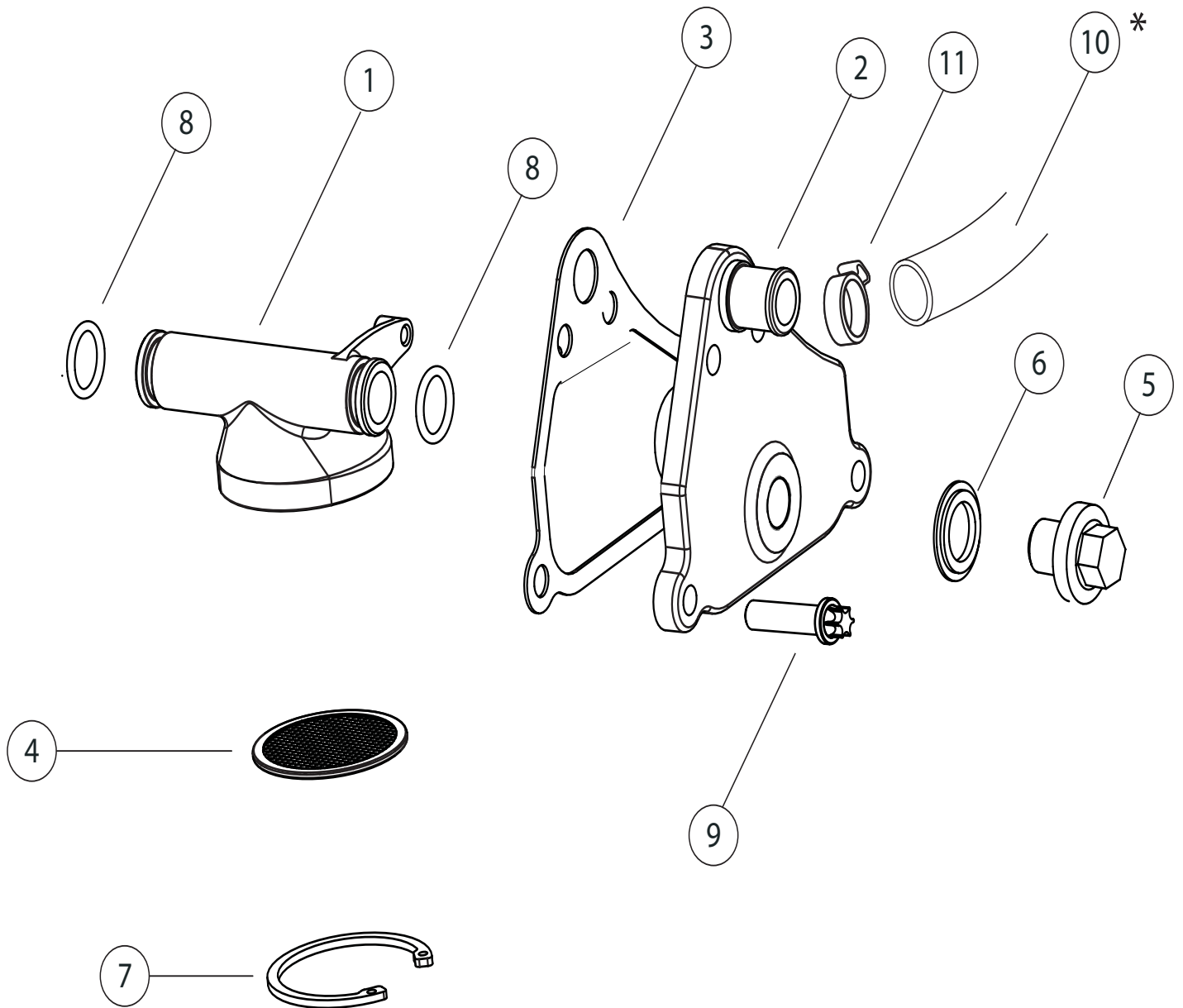
COUNTERSHAFT SPROCKET PARTS LIST



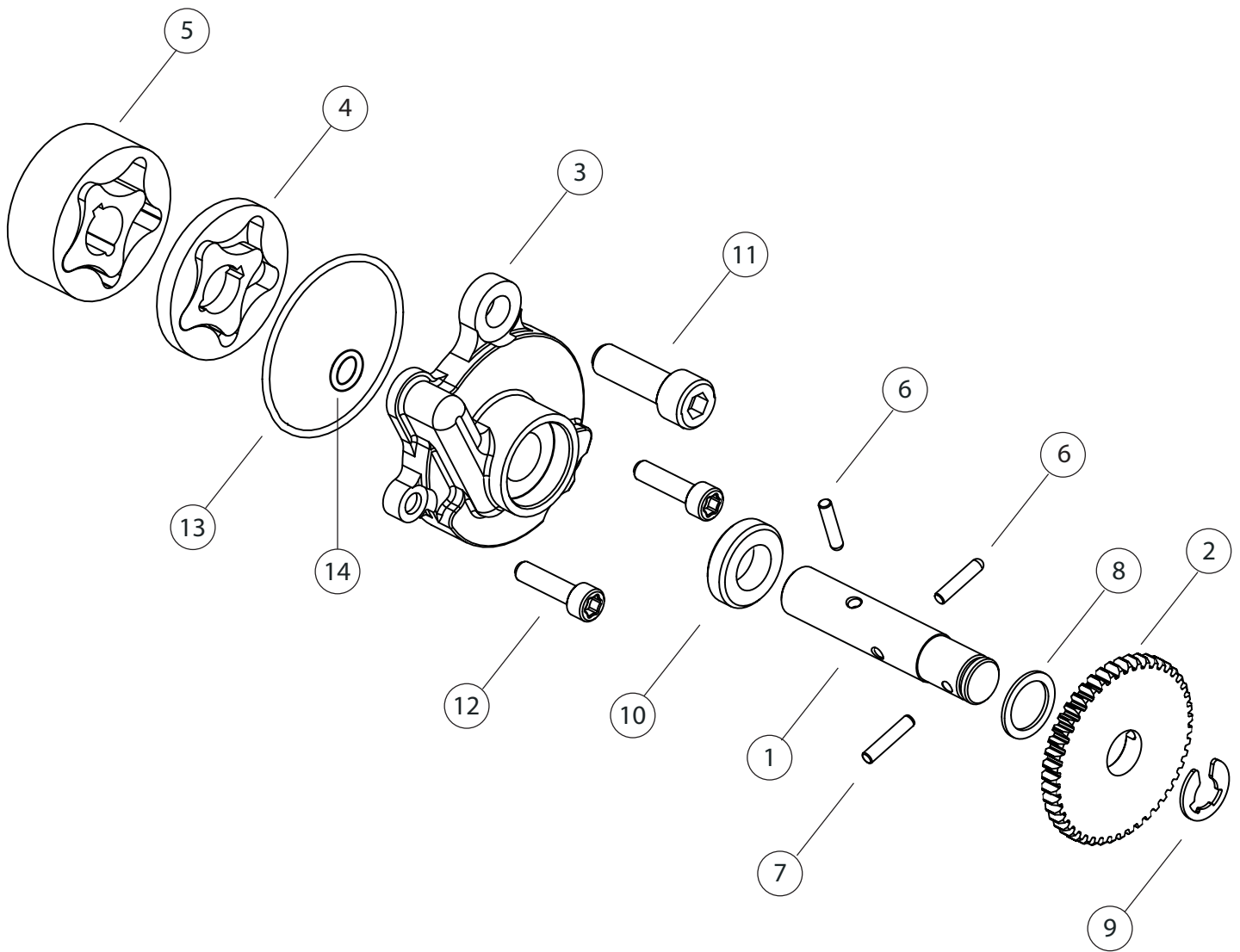
14	1	5001925			FHB M5X12 mm, Zinc	
13	1	5000687			CRANKSHAFT POSITION SENSOR	
12	1	5001271			FLAT WSHR, M4	
*	3	6000490		X	SHCS, M5X0.8X22 mm	
*	3	5001478	X		SHCS, M5X0.8X20 mm	X440
11	3	5001476	X		SHCS, M5X0.8X16 mm	
*	1	5002614	X		GENERATOR ALIGNMENT COLLAR	X440
10	1	5001979			GENERATOR ALIGNMENT COLLAR	
*	1	6000322		X	GENERATOR STATOR	
*	1	5002532	X		GENERATOR STATOR	S440, C440R, E440R
9	1	5002616	X		GENERATOR STATOR	X440
8	1	5001258			ALUM CLAMP	
7	1	5001473			BHCS, M4X0.7X8 mm	
6	1	5001857			FLYWHEEL	
5	1	5001580			LOCK WASHER, M12	
4	1	5001044			FLANGE NUT, M12X1.25	
3	1	5000924-04			GENERATOR COVER GASKET	
2	4	5001592			PHILIPS HD SCREW, M5X20	
1	1	5000316			COVER, GENERATOR	
ITEM NO	QTY REQD	DEALER PART NUMBER	MC	ATV MODEL	DESCRIPTION	NOTES
GENERATOR STATOR PARTS LIST						



9	2	5001925			FHB M5X12 mm, ZINC	
8	1	5001879			OUTLET, WATER	
7	1	5000915			O-RING, 2-023	
6	1	5001933			WSHR, .320X.547X.040 IN	
5	1	5001442-05			WATER PUMP IMPELLER	
4	1	5000180-06			WATER PUMP GASKET	
3	1	5001895			WASHER, BRASS, 5X9X.9 mm	
2	1	5001860-01			WATER PUMP HOUSING	
1	4	5001927			FHB M5X20 mm, ZINC	
ITEM NO	QTY REQD	DEALER PART NUMBER	M/C	ATV MODEL	DESCRIPTION	NOTES
WATER COVERS PARTS LIST						

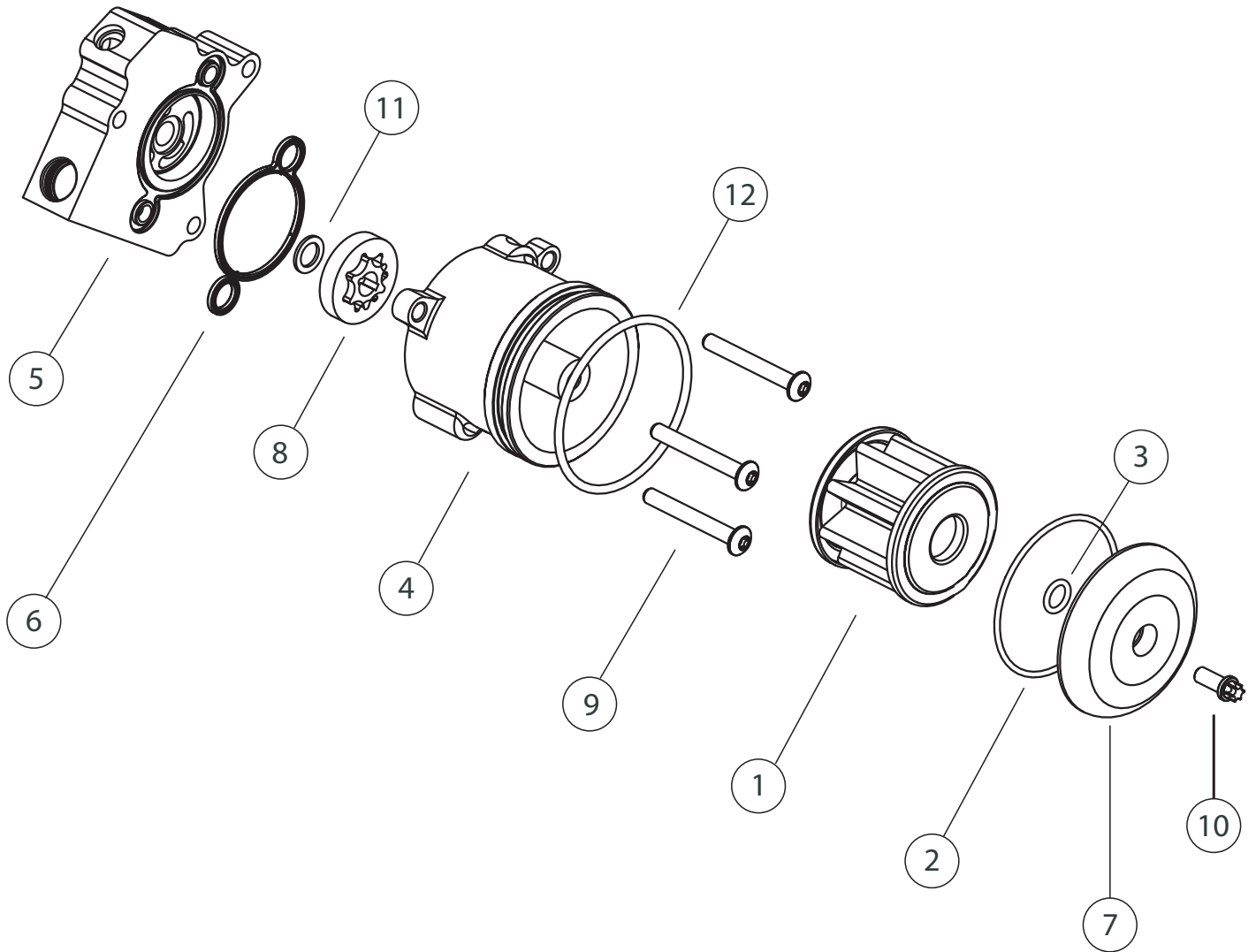


*	1	6000384-02		X	HOSE, OIL, RETURN	
10	1	5002233	X		HOSE, OIL, RETURN	
9	4	5001926			FHB M5X16 mm, ZINC	
8	2	5000484			O-RING, 2-013	
7	1	5000897			INTRNL RETAINING RING, 35	
6	1	5001705			WASHER, ENGINE DRAIN	
5	1	5001279			ENGINE OIL DRAIN PLUG	
4	1	5000309			ENGINE OIL PICKUP SCREEN	
3	1	5000308-06			GASKET, ENGINE OIL PICK-UP	
2	1	5001865-03			ENGINE OIL PICKUP COVER	
1	1	5001864-02			ENGINE OIL PICKUP	
ITEM NO	QTY REQD	DEALER PART NUMBER	M/C	A/TV MODEL	DESCRIPTION	NOTES
ENGINE OIL PICKUP ASSY PARTS LIST						

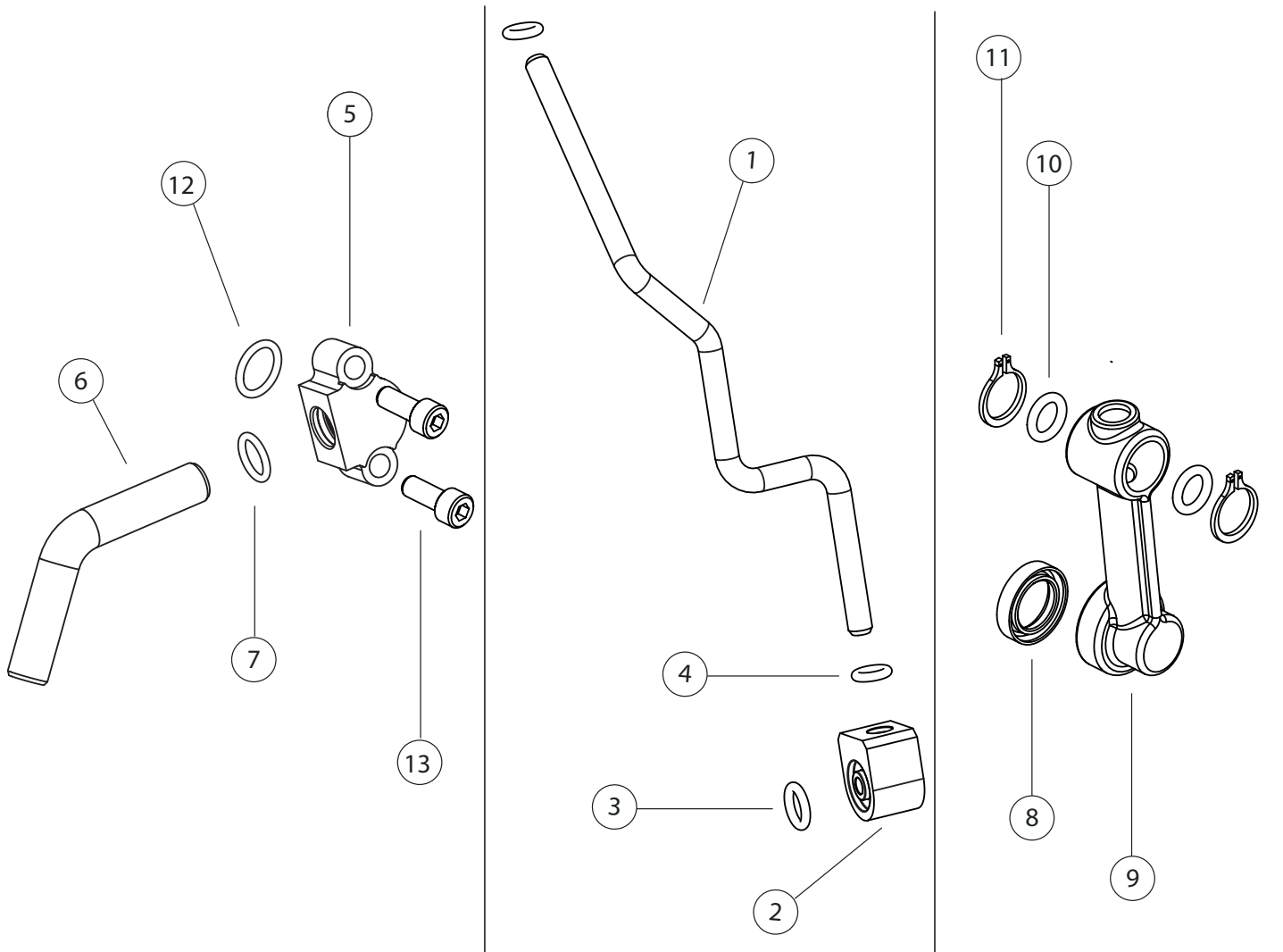


14	1	5000930			O-RING, 2-010	
13	1	5000489			O-RING, 2-031	
12	2	5001478			SHCS, M5X20 mm	
11	1	5001485			SHCS, M8X25 mm	
10	1	5001134			OIL SEAL:12X22X6	
9	1	5001248			E-CLIP, 8 mm	
8	1	5000448			THRUST WASHER .687X.511X.040	
7	1	5002337			DOWEL PIN, 3.8 X 22.2 mm	
6	2	5001036			SCAVENGE PUMP DRIVE PIN	
5	1	5001159			GEROTOR ASSY, THICK, 4065 X .165	
4	1	5001158			GEROTOR ASSY, THIN, 4065 X .1875	
3	1	593-5001880			SCAVENGE PUMP COVER	
2	1	5002016			GEAR, SCAVENGE PUMP	
1	1	5002155			SHAFT, SCAVENGE PUMP	
ITEM NO	QTY REQD	DEALER PART NUMBER	MC	ATV MODEL	DESCRIPTION	NOTES

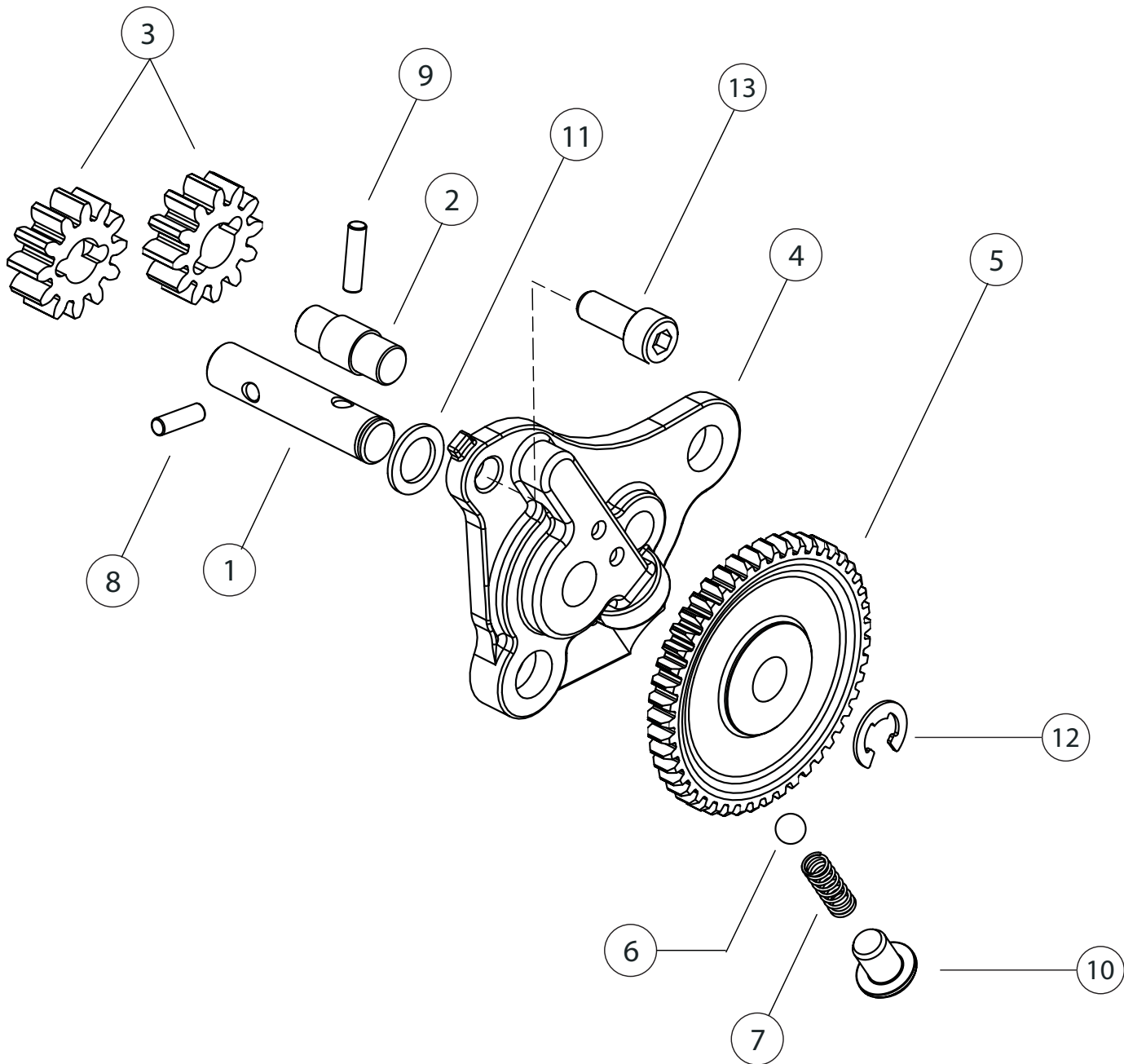
SCAVENGE PUMP PARTS LIST



12	1	5000647			O-RING, 2-138	
11	1	5000016			THRST WASHER, 8X12X.762	
10	1	5001926			FHB, M5X12 mm, ZINC	
9	3	5002283			SHCS ,M5X40 mm	
8	1	5001207			GEROTOR ASSY, 6022 X .226	
7	1	5001878-02			COVER, OIL FILTER	
6	1	5000638			SEAL, 3 RING, PRESSURE PUMP	
5	1	593-5001858-04			HOUSING, PRESSURE PUMP	
4	1	593-5001859			OIL FILTER HOUSING	
3	1	5000482			O-RING, 2-011	
2	1	5000634			O-RING, 2-033	
1	1	5001740			FILTER, ENGINE OIL ASSEMBLY	
ITEM NO	QTY REQD	DEALER PART NUMBER	MC	ATV MODEL	DESCRIPTION	NOTES
ENGINE OIL PUMP PARTS LIST						



13	2	5001478			SHCS, M5X20 mm	
12	1	5000484			O-RING, 2-013	
11	1	5001028			EXTERNAL RETAINING RING, M10	
10	1	5000930			O-RING, 2-010	
9	1	532-5001122			CRANKSHAFT OIL SUPPLY BRIDGE ASSY	
8	1	5000689			OIL SEAL: 8X14X4	
7	1	5000487			O-RING, 2-012	
6	1	5001066			OIL RETURN PIPE	
5	1	5001065			OIL RETURN FITTING	
4	2	5001061			O-RING, 2-008	
3	1	5000930			O-RING, 2-010	
2	1	5001059-05			TRANSMISSION OIL LINE LEFT ADAPTOR	
1	1	5000895			TIMING CHAIN OIL PIPE	
ITEM NO	QTY REQD	DEALER PART NUMBER	MC MODEL	ATV MODEL	DESCRIPTION	NOTES
OIL SUPPLY TUBES PARTS LIST						



13	1	5001852			BHCS, M5X16 mm	
12	1	5001564			CIRCLIP,7mm (STAINLESS)	
11	1	5000016			THRUST WASHER, 8X12X.762	
10	1	5001474			BHCS, M6 X 1.0 X 8 mm	
9	1	5001630			DOWEL PIN, 3 X 11.8	
8	1	5001183			DOWEL PIN, 3 X 9.8	
7	1	5000993			PRESSURE RELIEF SPRING	
6	1	5000992			PRESSURE RELIEF BALL	
5	1	5002014			TRANS OIL PUMP DRIVE GEAR	
4	1	5001867			TRANSMISSION OIL PUMP COVER	
3	2	5000386-05			OIL PUMP DRIVEN GEAR	
2	1	5000385-02			OIL PUMP IDLER SHAFT	
1	1	5000384			TRANS OIL PUMP DRIVE SHAFT	
ITEM NO	QTY REQD	DEALER PART NUMBER	MC MODEL	ATV MODEL	DESCRIPTION	NOTES

TRANSMISSION OIL PUMP PARTS LIST